

KENWOOD

KVT-915DVD

TELEVISION WITH DVD RECEIVER

INSTRUCTION MANUAL

TELEVISION AVEC AMPLI-TUNER LECTEUR DE DVD

MODE D'EMPLOI

TELEVISOR CON RECEPTOR DVD

MANUAL DE INSTRUCCIONES

TELEVISOR COM RECEPTOR DVD

MANUAL DE INSTRUÇÕES

KENWOOD CORPORATION



Before Use	4	Mute Telephone	39	Setup Menu	59	Sound Effects Menu	86
About discs	6	• Mute Telephone		• Displaying the Control screen		• Displaying the Control screen	
Notes on playing MP3/WMA	7	SIRIUS Tuner Control		• Displaying the Setup Menu screen		• Displaying the Sound Effects Menu screen	
Opening/Closing the Monitor and Power Switch	8	<North American sales only>	40	Audio Set Up	60	Audio Control	87
Removing/Attaching the Protection Panel	9	• Displaying the Easy Control Panel		• Displaying the Car Type Set Up screen		• Displaying the Audio Control screen	
KVT-915DVD Basic operation	10	• Displaying the SIRIUS Tuner Control screen		• Displaying the Speaker Set Up screen		SFC	88
Basic Operations of Remote Controller	12	• Displaying the SIRIUS Tuner Menu		• Displaying the Channel Level screen		• Displaying the SFC screen	
Switch Small Display	14	• Channel Search		• Speaker Set Up		• SFC Adjustment	
Switch Screen Mode	15	• Channel Memory		• Channel Level		Equalizer	90
Control during DVD Video, DVD Audio or Video CD Playback	16	• Direct Channel Search		• DTA Setup		• Displaying the Equalizer screen	
• Displaying the DVD/VCD Playback screen		• Information Display		• Crossover Network Setup		• Parametric Equalizer	
• Displaying the Easy Control Panel		HD Radio Control		• Speaker Setup Memory		Position	92
• Displaying the DVD-V/DVD-A/VCD Control screen		<North American sales only>	44	DVD Setup	66	• Displaying the Position screen	
• DVD Disc Menu		• Displaying the Easy Control Panel		• Displaying the DVD SETUP 1 screen		• Position Fine Control	
• VCD Zoom Control		• Displaying the HD Radio Control screen		• Displaying the DVD SETUP 2 screen		Zone Control	94
• Information Display		• Seek Mode		• Displaying the DVD SETUP 3 screen		• Displaying the Zone Control screen	
• Direct Search		• Auto Memory		• Language Setup		Before Installation	96
TV Control	22	• Manual Memory		• Parental Level Setup		Connection	98
• Displaying the TV Picture screen		• Receive Mode		System Setup	70	Installation	101
• Displaying the Easy Control Panel		• Title Display		• Displaying the System 1 screen		Glossary	106
• Displaying the TV Control screen		DAB Tuner control	48	• Displaying the System 2 screen		Troubleshooting Guide	107
• Displaying the TV Menu screen		• Displaying the Easy Control Panel		AV Interface	72	Specifications	112
• Seek Mode		• Displaying the DAB Tuner Control screen		• Displaying the AV I/F 1 screen			
• Auto Memory		• Displaying the DAB Tuner Menu screen		• Displaying the AV I/F 2 screen			
• Manual Memory		• Seek Mode		User Interface	74		
• Preset Select		• Auto Ensemble Memory		• Displaying the User I/F 1 screen			
• Set Station Name		• Service Preset Memory		• Displaying the User I/F 2 screen			
• Direct Search		• Service Select		• Displaying the User I/F 3 screen			
Tuner Control	26	• Language Filter		• Touch Panel Adjust			
• Displaying the Easy Control Panel		• Search for Program Type		• Clock			
• Displaying the Tuner Control screen		• DAB Information		• Security Code Setup			
• Displaying the Tuner Menu screen		• DAB Announcement		TV Setup <South American sales only>	80		
• Seek Mode		Weather Band Tuner Control	54	• Displaying the TV1 Area Set Up screen			
• Auto Memory		• Displaying the Easy Control Panel		• Displaying the TV2 Area Set Up screen			
• Manual Memory		• Displaying the Weather Band Tuner Control screen		SIRIUS Setup <North American sales only> ..	81		
• Preset Select		Character Entry	56	• Displaying the SIRIUS Set Up screen			
• Set Station Name		• How To Use the Character Entry screen		DAB Set Up	82		
• Direct Search		Source Select	57	• Displaying the DAB Set Up screen			
• Traffic Information		• Displaying the Control screen		• Announcement Selection			
• Search for Program Type		• Displaying the Source Select screen		Sensor	84		
• Radio Text		Adjusting the Monitor Display Position and Quality	58	• Displaying the Sensor Box screen			
CD/MP3/WMA/Disc Changer Play Control	32	• Displaying the Screen Control screen		AMP Control	85		
• Displaying the Easy Control Panel		• Displaying the Angle Control screen		• Displaying the AMP Control screen			
• Displaying the CD/MP3/WMA/Disc Changer Control screen							
• Displaying the CD/MP3/WMA/Disc Changer Menu							
• Set Disc Name							
• Select Folder (during MP3/WMA play)							
• ID3/WMA TAG Display (during MP3/WMA play)							
• Disc Select (during play by disc changer)							
• Direct Search							

Before Use

⚠ WARNING

To prevent injury and/or fire, take the following precautions:

- Ensure that the unit is securely installed. Otherwise it may fly out of place during collisions and other jolts.
- When extending the ignition, battery or ground wires, make sure to use automotive-grade wires or other wires with an area of 0.75mm² (AVG18) or more to prevent cable deterioration and damage to the cable coating.
- To prevent short circuits, never put or leave any metallic objects (e.g., coins or metal tools) inside the unit.
- If the unit starts to emit smoke or strange smells, turn off the power immediately and consult your Kenwood dealer.
- Do not touch the liquid crystal fluid if the LCD is damaged or broken due to shock. The liquid crystal fluid may be dangerous to your health or even fatal. If the liquid crystal fluid from the LCD contacts your body or clothing, wash it off with soap immediately.

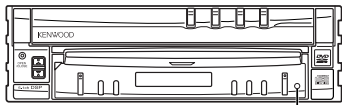
⚠ CAUTION

To prevent damage to the machine, take the following precautions:

- Make sure to ground the unit to a negative 12V DC power supply.
- Do not open the top or bottom covers of the unit.
- Do not install the unit in a spot exposed to direct sunlight or excessive heat or humidity. Also avoid places with too much dust or the possibility of water splashing.
- Do not subject the faceplate to excessive shock, as it is a piece of precision equipment.
- When replacing a fuse, only use a new one with the prescribed rating. Using a fuse with the wrong rating may cause your unit to malfunction.
- To prevent short circuits when replacing a fuse, first disconnect the wiring harness.
- Do not use any screws except for the ones provided. The use of improper screws might result in damage to the main unit.
- You cannot view video pictures whilst the vehicle is moving. To enjoy TV/video pictures, find a safe place to park and engage the parking brake.

NOTE

- If you experience problems during installation, consult your Kenwood dealer.
- If the unit does not seem to be working right, try pressing the reset button first. If that does not solve the problem, consult your Kenwood dealer.



Reset button

Screen brightness during low temperatures

When the temperature of the unit falls such as during winter, the liquid crystal panel's screen will become darker than usual. Normal brightness will return after using the monitor for a whilst.

Audio units you can control from the KVT-915DVD Receiver (in November of 2003):

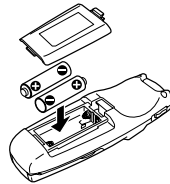
KDC-CPS89, KDC-CX87, KDC-CX85, KDC-C719, KDC-C717, KDC-C715, KDC-C669, KDC-C667, KDC-C665, KDC-C469, KDC-C465, KDC-D301, KTC-9090DAB, KDV-C830, KDV-C840, KDV-C860, KDC-CX89, KTC-SR901, KPA-SS100, KPA-CP100, KTC-WB100
(Set the "O-N" switch to "N" position if provided.)

Navigation units you can control from the KVT-915DVD Receiver (in November of 2003):

KNA-DV2100, KNA-DV3100

Loading and Replacing the battery

1. Use two "AAA"-size batteries.
Slide the cover while pressing downwards to remove it as illustrated.
2. Insert the batteries with the ⊕ and ⊖ poles aligned properly, following the illustration inside the case.



⚠ WARNING

Store unused batteries out of the reach of children. Contact a doctor immediately if the battery is accidentally swallowed.

- ⚠ Do not set the remote on hot places such as above the dashboard.
- 🗣 The provided batteries are intended for use in operation checking, and their service life may be short.
- 🗣 When the remote controllable distance becomes short, replace both of the batteries with new ones.

Cleaning the panel and monitor

When the operator panel and monitor panels are dirty, wipe and clean them using a soft cloth (such as a commercially available silicon coated cloth). When contaminated excessively, clean them using a cloth dipped in a neutral detergent first, then remove the detergent using a dry cloth.

Do not use a hard cloth and a volatile chemical (such as an alcohol). If used, the panel surface may be scratched or printed letters may be erased.

Cleaning the disc slot

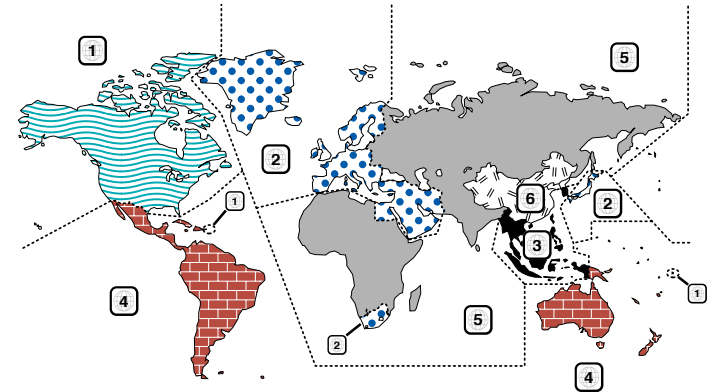
As dust can accumulate in the disc slot, clean it occasionally. Your discs can get scratched if you put them in a dusty disc slot.

Lens Fogging

Right after you turn on the car heater in cold weather, dew or condensation may form on the lens in the disc player of the unit. Called lens fogging, discs may be impossible to play. In such a situation, remove the disc and wait for the condensation to evaporate. If the unit still does not operate normally after a whilst, consult your Kenwood dealer.

Region codes in the world

The DVD players are given a region code according to the country or area it is marketed, as shown in the following map.



Icons on the DVD discs

Icon	Description
	Indicates the region code where the disc can be played.
	Number of voice languages recorded with the audio function. The number in the icon indicates the number of voice languages. (Max. 8 languages)
	Number of subtitle languages recorded with the subtitle function. The number in the icon indicates the number of subtitle languages. (Max. 32 languages)
	Number of angles provided by the angle function. The number in the icon indicates the number of angles. (Max. 9 angles)
	Aspect ratios that can be selected. "LB" stands for Letter Box and "PS" for Pan/Scan. In the example on the left, the 16:9 video can be converted into letter box video.

Unplayable discs

This player cannot play back any of the following discs.

- DVD-ROM/DVD-RAM discs
- HQ-VCD discs
- CDV discs (Only the audio part can be reproduced)
- CD-G/CD-EG/CD-EXTRA discs (Only the audio can be reproduced)
- Photo CD discs

Also, you cannot play back the DVD-R/RW and DVD+R/RW discs if not recorded in the DVD-Video or DVD-Audio format.

Restrictions due to difference between discs

Some DVD and VCD discs can be played only in certain playback modes according to the intentions of the software producers. As this player plays discs according to their intentions, some functions may not work as intended by you. Please be sure to read the instructions provided with each disc. When an inhibition icon is displayed on the monitor, it indicates that the disc being played is under the restriction as described above.



The illustrations of the display and the panel appearing in this manual are examples used to explain more clearly how the controls are used. Therefore, what appears on the display in the illustrations may differ from what appears on the display on the actual equipment, and some of the illustrations on the display may represent something impossible in actual operation.

Explanation of icons used on this manual

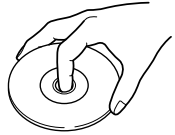
- Indicates the key operation on the receiver.
- Indicates the button you must touch.
- Indicates the key or joystick operation on the remote controller.
- The initial value of each setup is shown.
- Gives an additional information or an operation advice.

About discs

English

Handling discs

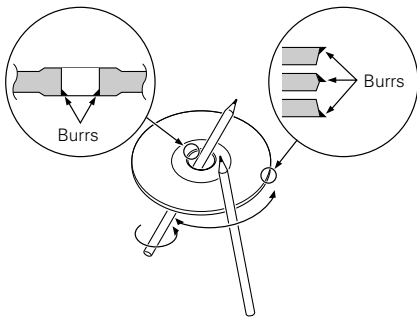
- Don't touch the recording surface of the disc.



- CD-R/RW, DVD-R/RW, and DVD+R/RW are easier to damage than a normal music CD. Use a CD-R/RW, DVD-R/RW, or DVD+R/RW after reading the caution items on the package etc.
- Don't stick tape etc. on the disc. Also, don't use a disc with tape stuck on it.

When using a new disc

If the disc center hole or outside rim has burrs, use it after removing them with a ball pen etc.

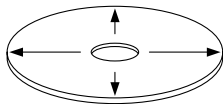


Disc accessories

Don't use disc type accessories.

Disc cleaning

Clean from the center of the disc and move outward.

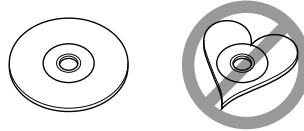


Removing discs

When removing discs from this unit pull them out horizontally.

Discs that can't be used

- Discs that aren't round can't be used.



- Discs with coloring on the recording surface or that are dirty can't be used.
- This unit can only play the CDs with . It may not correctly play discs which do not have the mark.
- A CD-R or CD-RW that hasn't been finalized can't be played. (For the finalization process refer to your CD-R/CD-RW writing software, and your CD-R/CD-RW recorder instruction manual.)

Disc storage

- Don't place them in direct sunlight (On the seat or dashboard etc.) and where the temperature is high.
- Store discs in their cases.

Notes on playing MP3/WMA

This unit can play MP3 (MPEG1, 2 Audio Layer 3)/WMA. Note, however, that the MP3/WMA recording media and formats acceptable are limited. When writing MP3/WMA, pay attention to the following restrictions.

Acceptable media

The MP3/WMA recording media acceptable to this unit are CD-ROM, CD-R, and CD-RW. When using CD-RW, do full format not quick format to prevent malfunction.

Acceptable medium formats

The following formats are available for the media used in this unit. The maximum number of characters used for file name including the delimiter (".") and three-character extension are indicated in parentheses.

- ISO 9660 Level 1 (12 characters)
- ISO 9660 Level 2 (31 characters)
- Joliet (64 characters)
- Romeo (128 characters)

Up to 170 characters can be displayed in the long file name format. For a list of available characters, see the instruction manual of the writing software and the section Entering file and folder names below.

The media reproducible on this unit has the following limitations:

- Maximum number of directory levels: 8
 - Maximum number of files per folder: 255
 - Maximum number of characters for folder name: 64
 - Maximum number of folders: 100
- MP3/WMA written in the formats other than the above may not be successfully played and their file names or folder names are not properly displayed.

Settings for your MP3/WMA encoder and CD writer

Do the following setting when compressing audio data in MP3/WMA data with the MP3/WMA encoder.

- Transfer bit rate: MP3: 8 — 320 kbps
WMA: 48 — 192 kbps
- Sampling frequency: MP3: 32, 44.1, 48 kHz
WMA: 32, 44.1, 48 kHz

When you use your CD writer to record MP3/WMA up to the maximum disc capacity, disable additional writing. For recording on an empty disc up to the maximum capacity at once, check Disc at Once.

Play mode may not be possible when portions of the functions of Windows Media Player 9 or higher are used.

Entering ID3 tag

The Displayable ID3 tag is ID3 version 1.x. For the character code, refer to the List of Codes.

0	1	2	3	4	5	6	7	8	9	A	B	C	D	E	F
0															
1				A	Q	a	q								
2				B	R	b	r								
3				#	C	c	s								
4				\$	D	d	t								
5				%	E	e	u								
6				&	F	f	v								
7				'	G	g	w								
8				(H	h	x								
9)	I	i	y								
A				-	J	j	z								
B				+	K	k	(
C				<	L	l	(
D				-	M	m)								
E				.	N	n	-								
F				/	O	o	(

Entering file and folder names

The code list characters are the only file names and folder names that can be entered and displayed. If you use any other character for entry, the file and folder names are not displayed correctly. They may neither be displayed correctly depending on the CD writer used. The unit recognizes and plays only those MP3/WMA which have the MP3/WMA extension (.MP3/.WMA).

A file with a name entered with characters not on the code list may not play correctly.

Writing files into a medium

When a medium containing MP3/WMA data is loaded, the unit checks all the data on the medium. If the medium contains a lot of folders or non-MP3/WMA files, therefore, it takes a long time until the unit starts playing MP3/WMA. In addition, it may take time for the unit to move to the next MP3/WMA file or a File Search or Folder Search may not be performed smoothly.

Loading such a medium may produce loud noise to damage the speakers.

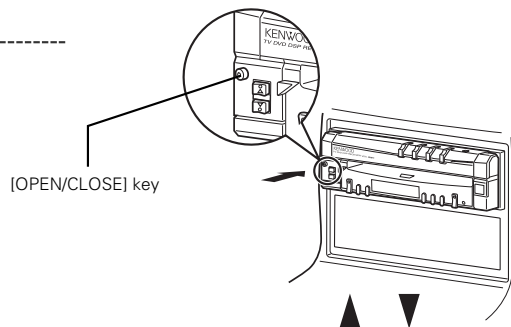
- Do not attempt to play a medium containing a non-MP3/WMA file with the MP3/WMA extension. The unit mistakes non-MP3/WMA files for MP3/WMA data as long as they have the MP3/WMA extension.
- Do not attempt to play a medium containing non MP3/WMA.

MP3/WMA playing order

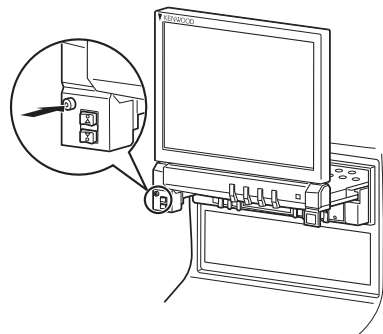
When selected for play, Folder Search, File Search, or for Folder Select, files and folders are accessed in the order in which they were written by the CD writer. Because of this, the order in which they are expected to be played may not match the order in which they are actually played. You may be able to set the order in which MP3/WMA are to be played by writing them onto a medium such as a CD-R with their file names beginning with play sequence numbers such as "01" to "99", depending on your CD writer.

Opening/Closing the Monitor and Power Switch

Open the monitor

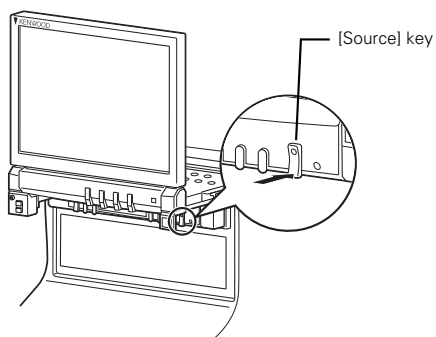


Close the monitor



Turn the power switch on

Hold down the [Source] key more than one second to turn it off.



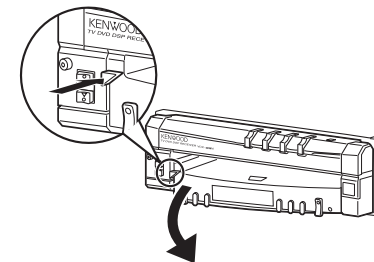
- Do not touch the moving components when you are opening or closing the monitor. If done, you will get hurt.
- Do not try to open or close the monitor by hand.



- You can automatically open or close the monitor when you turn on or off the ignition key (see page 58).
- If the monitor movement is stopped by the shift lever or another obstacle when the monitor is opened, this movement is canceled by the safety function. If an obstacle is pinched by the monitor when closed, the monitor movement is also canceled by the safety function. If it has occurred, remove the obstacle and press the [OPEN/CLOSE] key again.

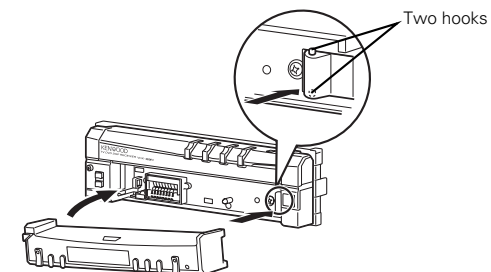
Removing/Attaching the Protection Panel

Remove the protection panel



Attach the protection panel

Place the right end of the protection panel onto hooks and push it until clicked and locked. Then, push the left end of the panel to lock it.

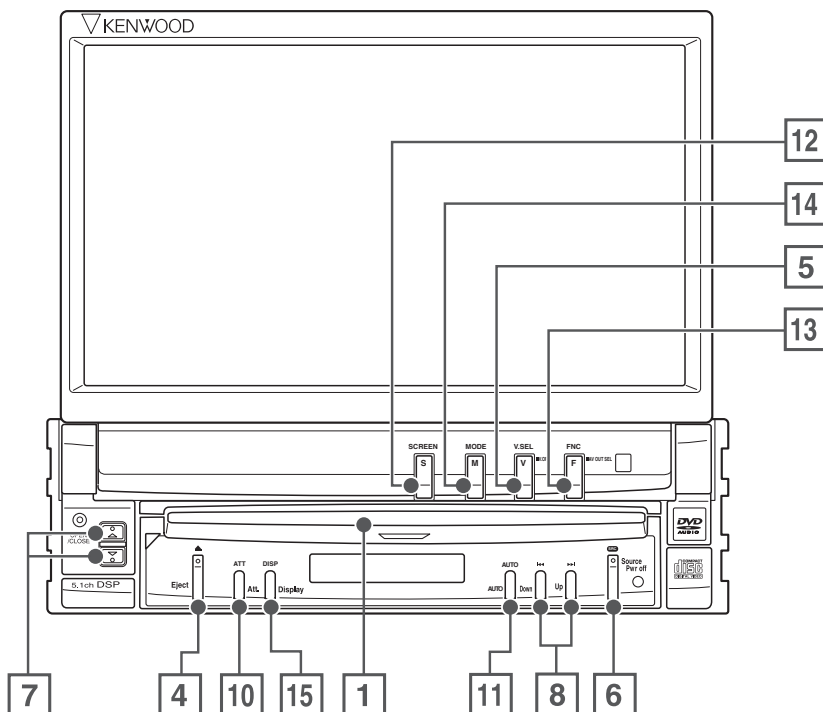


- Close the monitor first, then remove or attach the protection panel.
- After you have removed the protection panel, you cannot operate the receiver.
- After you have removed the protection panel, you can flash the burglar alarm lamp (see page 71).

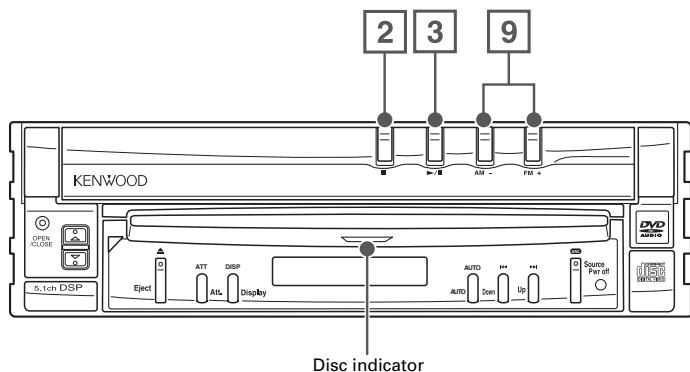
KVT-915DVD Basic operation

English

■ When the monitor is open



■ When the monitor is closed



1 Play Disc [Disc insertion slot]
A disc is played when you insert it.

2 Stop to Play [■] key
Stops to play.

3 Play/Pause [▶||] key
Pauses and replays a disc.

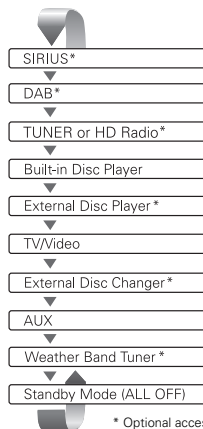
4 Eject Disc [Eject] key
The disc is ejected.

5 Switch Video Sources [V.SEL] key
The video sources are switched each time you press the key.



Clears the video image when pressed more than one second. When pressed again, the original image is redisplayed.

6 Switch Audio Source/Power Supply [Source] key
The audio sources are switched each time you press the key.



* Optional accessory

Hold down more than 1 second to turn the power supply Off. Push it again to turn power supply On.

7 Volume Controls [▲]/[▼] key

8 Track/Station Selectors [Up] / [Down] key
Selects a music or chapter, track, or frequency.

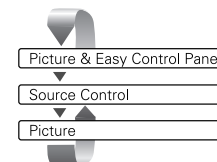
9 Band/Folder Selectors [FM]/[AM] key
Press the [FM] key to switch to the FM1/2/3 band or the next folder/disc. Press the [AM] key to switch to the AM band or the previous folder/disc.

10 Attenuator [Att] key
Attenuates the volume. Press it again to cancel muting.

11 Select Seek Mode [Auto] key
Selects the Seek mode. (see pages 24/28 for the <Seek Mode>)

12 Screen Setup [SCREEN] key
Displays the Screen Setup or Angle Setup screen. (see page 58)

13 Function [FNC] key
The video sources are switched each time you press the key.



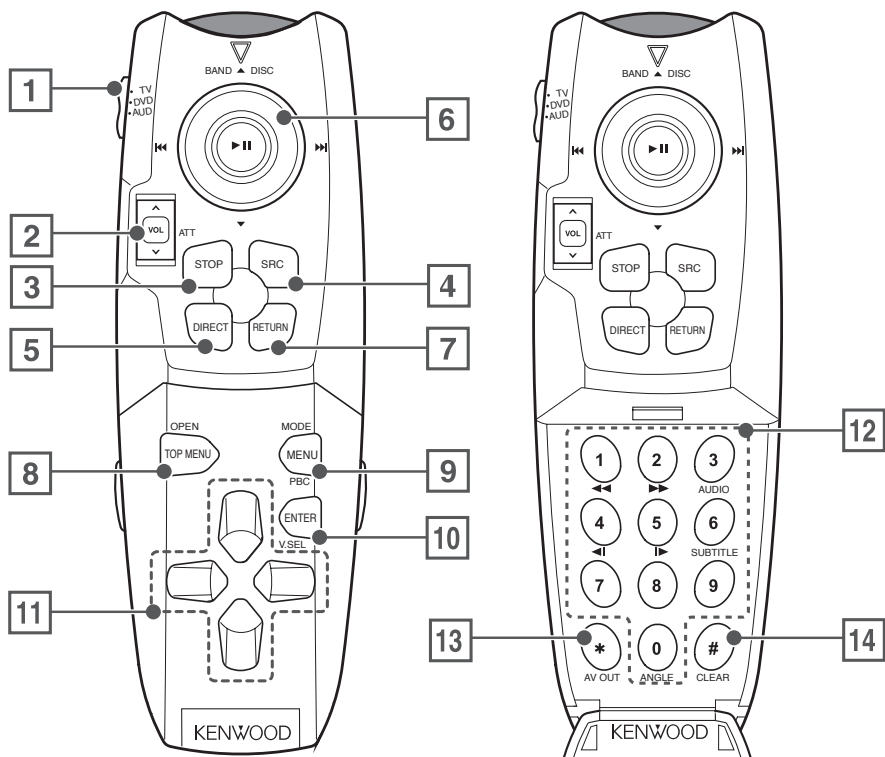
Switches the source that is output at the AV OUTPUT terminal when it is pressed more than 1 second.

14 Switch Screen Mode [MODE] key
The screen mode is switched. (see page 15)

15 Small Display [Display] key
Switches to the Small Display. (see page 14)

⚠ When a disc has already been loaded (when the "red" disc indicator lights), do not insert another disc into its slot. If done, the discs may be scratched or the system may be damaged.

💬 The display turns on when you put the parking brake, except for the navigation system.



1 Remote Control Mode selector

Selects one of the following remote control modes.
 TV: TV source
 DVD: Built-in DVD/VCD/CD/MP3/WMA player source
 AUD: Tuner source or attached disc changer source

2 Volume Control

Adjusts the volume.
 Press this control to mute. Press it again to cancel muting.

3 [DISC]

Stops to play the built-in disc player.

4 Switches over the sound source each time it is pressed.

5 Selects the Direct Search mode.
 (see pages 21/25/30/39 for <Direct Search>)

6 Joystick

[DISC]

Right or left: Selects a chapter, a track or a song.
 Up or down: Select a folder or a disc.
 Push: Plays or pauses.

[TV]

Right or left: Select a channel.
 Up: Switches to TV1, TV2, VIDEO1 or VIDEO2.
 Push: Selects the Seek mode.
 (see page 24 for the <Seek Mode>)

[TUNER]

Right or left: Selects a station.
 Up: Switches to the FM1, FM2, or FM3 band.
 Down: Switches to the AM band.
 Push: Selects the Seek mode.
 (see page 28 for the <Seek Mode>)

7 [DVD]

Returns to the previous screen when the DVD Disc Menu is used.

8 [DVD]

Calls the Top menu of DVD Disc Menu.

[Other than DVD] (T "TV", "AUD")

Opens or closes the monitor.

9 [DVD]

Calls the DVD Disc Menu.

[VCD]

Turns the PBC (Playback Control) function On or Off.

[Other than DVD/VCD] (T "TV", "AUD")

Switches the screen mode. (see page 15)

10 [DVD] [VCD]

Enters your selection from the DVD/VCD Disc Menu.

[Other than DVD/VCD] (T "TV", "AUD")

The video sources are switched each time you press the key.



11 [DVD]

Selects an option from the DVD Disc Menu.

12 [TV] [TUNER]

① — ⑥: Call the stations from memory.

[DVD]

- ① Fast Backward (Rewind). The speed changes each time it is pressed.
- ② Fast Forward. The speed changes each time it is pressed.
- ③ Switches the voice channel.
- ④ Slow Backward.
- ⑤ Slow Forward.
- ⑥ Switches the caption language.
- ⑩ Switches the view angle.

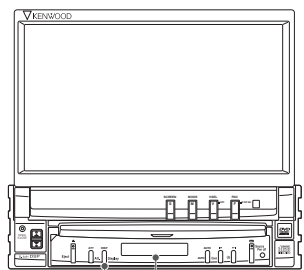
13 Switches the Video source at the AV OUTPUT plug.

14 Clears a numeric value you have entered in the built-in disk player during direct search.

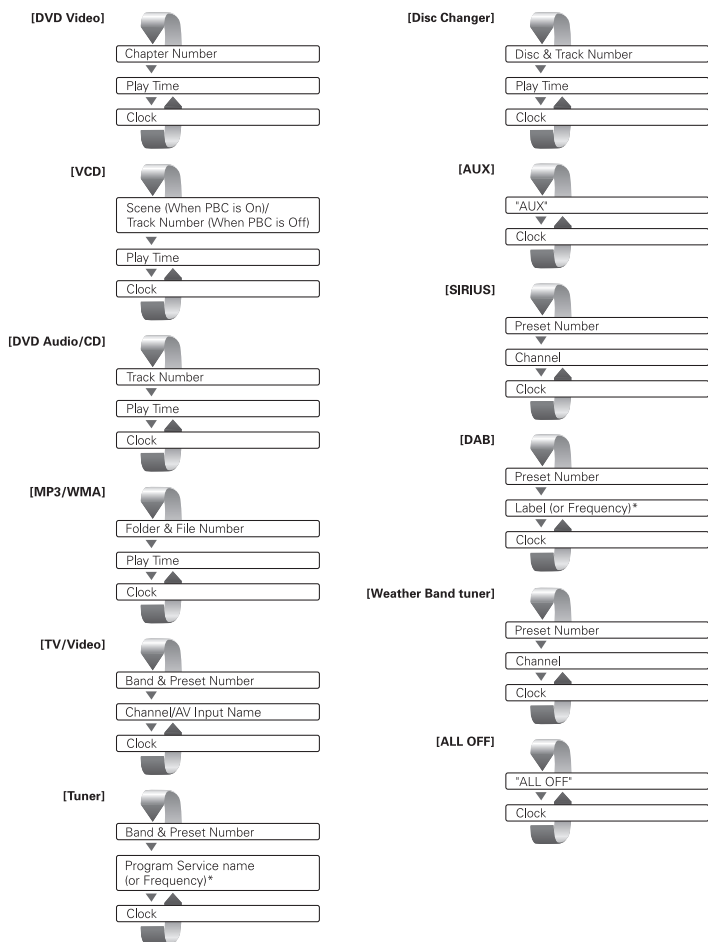
[DVD]	: An operation during DVD playback
[VCD]	: An operation during VCD playback
[DISC]	: An operation during DVD, VCD, CD, MP3/WMA or MD playback
[Other than DVD]	: An operation other than DVD playback
[Other than DVD/VCD]	: An operation other than DVD or VCD playback
[TV]	: An operation during TV source
[TUNER]	: An operation during FM/AM broadcasting source

Switch Small Display

The Small Display screen mode changes each time the [Display] key is pressed.



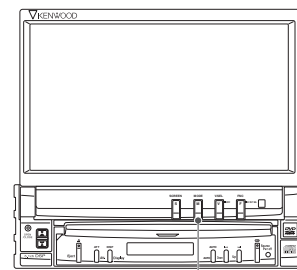
[Display] key Small Display



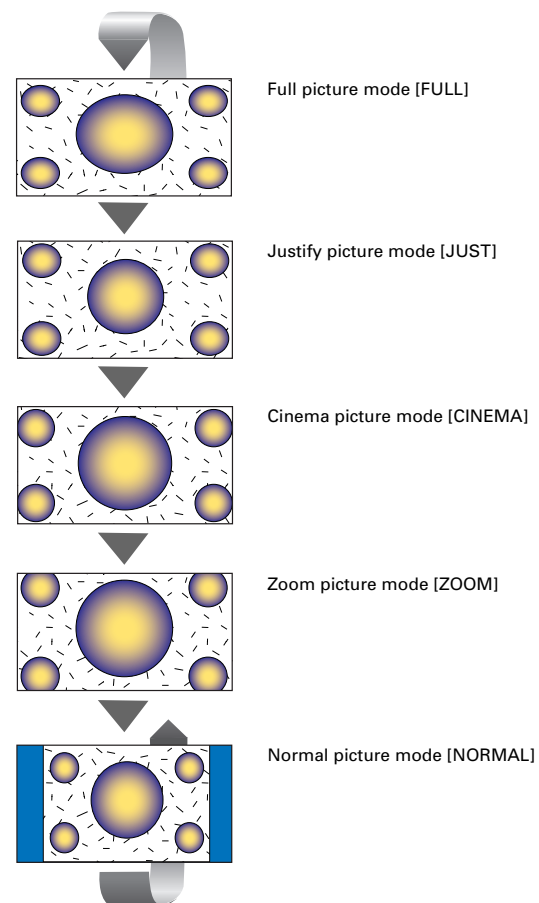
* Hold down the [Display] key more than 1 second to switch to the Frequency display.

Switch Screen Mode

The Screen mode of the monitor changes each time the [MODE] key is pressed.



[MODE] key



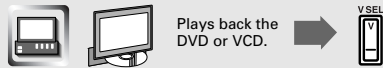
- When the Menu, Easy Control screen, or Navigation is selected, it is shown in the full-size display mode automatically. Their Screen mode cannot be changed.
- The Screen mode can be set for each of DVD/VCD, TV, and video images.

Control during DVD Video, DVD Audio or Video CD Playback

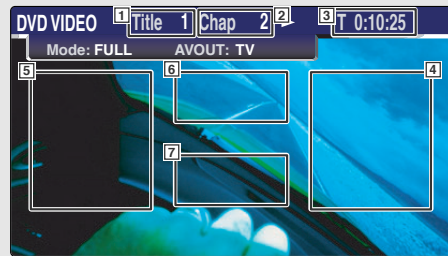
Various control screens appear when you play back a DVD Video (DVD-V), a DVD

Displaying the DVD/VCD Playback screen

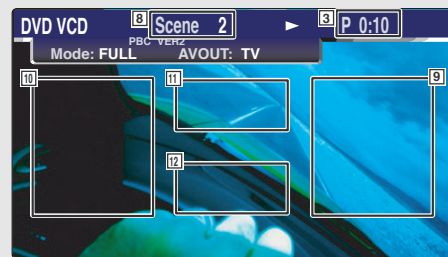
You can use the following operations when displaying DVD/VCD images.



DVD playback screen



VCD playback screen



- 1 Title Number Display (DVD-V)
Group Number Display (DVD-A)
- 2 Chapter Number Display (DVD-V)
Track Number Display (DVD-A)
- 3 Play Time Display
- 4 Forward Chapter Search Area (DVD-V)
Selects the next chapter.
Forward Track Search Area (DVD-A)
Selects the next track.
- 5 Backward Chapter Search Area (DVD-V)
Selects the previous chapter.
Backward Track Search Area (DVD-A)
Selects the previous track.
- 6 DVD Disc Menu Control Buttons Area
- 7 Information Display Button Area
- 8 Scene/Track Number Display (VCD)
- 9 Forward Scene/Track Search Area (VCD)
Selects the next scene (when PBC is On) or track (when PBC is Off).
- 10 Backward Scene/Track Search Area (VCD)
Selects the previous scene (when PBC is On) or track (when PBC is Off).
- 11 Zoom Control Button Area
Displays the Zoom Control buttons (see page 21).
- 12 Information Display Button Area

- For DVD/VCD playback, DVD-V/VCD picture selection, or controller key operations, see <KVT-915DVD Basic Operations> (see page 10).
- The information display is cleared automatically after approximately 5 seconds. Also, the information can be displayed automatically when it is updated (see page 74).

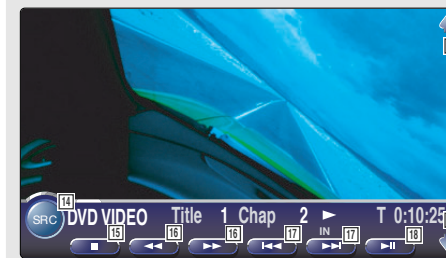
Audio (DVD-A) or a Video CD (VCD) disc.

Displaying the Easy Control Panel

The Control Panel is displayed in a floating position of the DVD/VCD screen.



Display of Easy Control Panel



- 13 Adjusts the volume.
- 14 Switches the source.
- 15 Stops to play.
- 16 Rewinds or fast forwards.
- 17 Chapter Search (DVD-V)
Searches for a chapter.
Track Search (DVD-A)
Searches for a track.
Scene/Track Search (VCD)
Selects a scene (when PBC is On) or a track (when PBC is Off).
- 18 Plays or pauses.

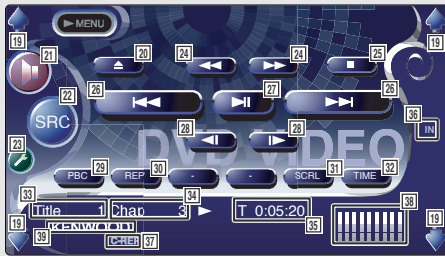
The Easy Control Panel display is cleared when you touch the center of image display area.

Displaying the DVD-V/DVD-A/ VCD Control screen

Plays a DVD/VCD using various functions.



DVD/VCD Control screen

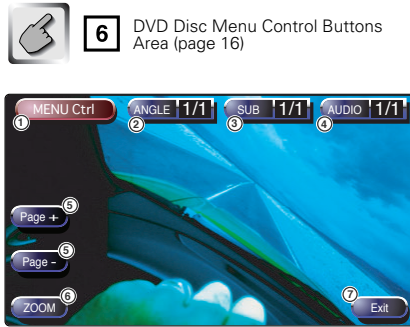


- 19 Adjusts the volume.
- 20 Ejects the disc from the built-in disc player.
- 21 Calls the Sound Effects Menu. (see page 86)
- 22 Switches the source.
Displays the Source Select screen when touched more than one second. (see page 57)
- 23 Calls the Setup Menu. (see page 59)
- 24 Fast Forwards or Rewinds.
- 25 Stops to play.
When pressed twice, the disc is played from its beginning when you play it in the next time.
- 26 Selects a chapter, a scene or a track.
When the DVD-V is paused, touch this button to start single-frame stepping.
- 27 Plays or pauses.
- 28 Slow Forwards or Backwards. (DVD-V, DVD-A)
- 29 Turns the PBC function of VCD On or Off. (VCD Ver 2.0)
- 30 Switches the Repeat Play operations in the following sequence.
DVD-V: Title Repeat, Chapter Repeat, Repeat Off
DVD-A: Group Repeat, Track Repeat, Repeat Off
VCD: Track Repeat, Repeat Off (Available when the PBC is off)
- 31 Scrolls the display text.
- 32 Switches the play time display in the following sequence.
DVD-V: Title, chapter, remaining titles
DVD-A: Track, group, remaining groups
VCD: Track, disc, remaining discs (Effective only when the PBC function is off)
- 33 Title Number Display (DVD-V)
Group Number Display (DVD-A)
- 34 Chapter/Scene/Track Number Display
- 35 Play Time Display
- 36 Appears when a disc is inserted.
- 37 Function Indicator
- 38 Clock/Level meter Display
When touched, the display of Clock 1, Level meter 1, Clock 2, and Level meter 2 are switched one after the other.
- 39 Volume Label Display

DVD Disc Menu

Selects an option from the DVD Disc Menu.

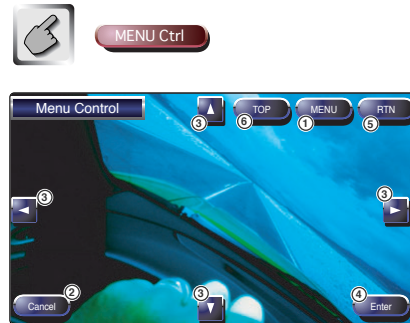
1 Displays the Disc Menu Control screen



- ① Calls the Menu Control.
- ② Switches the picture angle.
(during program playback only)
- ③ Switches the caption language.
(during program playback only)
- ④ Switches the voice language.
(during program playback only)
- ⑤ Switches the still images.
(during DVD-A playback only)
- ⑥ Displays the Zoom Control screen.
- ⑦ Clears the Disc Menu Control.

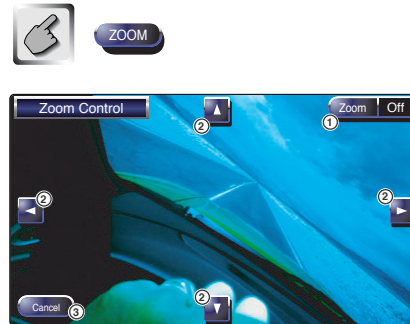
2 Select Disc Menu options

Disc Menu



- ① Calls the Menu. (during DVD-V playback only)
- ② Returns to the Disc Menu Control screen.
- ③ Selects a menu option.
- ④ Enters your menu selection.
- ⑤ Returns to the previous menu screen.
- ⑥ Displays the Top Menu.

Zoom Control



- ① Changes the zoom ratio at 4 levels (2 times, 3 times, 4 times, or off) each time you touch.
- ② Scrolls the screen in the direction you touch.
- ③ Returns to the Disc Menu Control screen.

VCD Zoom Control

Displays an enlarged VCD screen.

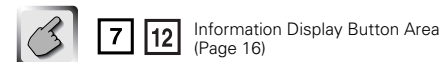
1 Displays the Zoom Control screen



- ① Changes the zoom ratio at 4 levels (2 times, 3 times, 4 times, or off) each time you touch.
- ② Scrolls the screen in the direction you touch.
- ③ Clears the Zoom Control button.

Information Display

Displays the DVD and AV information.



The information is displayed for 5 seconds.

Direct Search

You can search for a DVD/VCD chapter, scene or track by entering its number.

1 Selects the Direct Search mode



The following items can be searched directly each time it is pressed.
 DVD-V: Title, Chapter, Time, Direct number
 DVD-A: Group, Track, Time, Direct number
 VCD (when PBC is On): Scene, Direct number
 VCD (when PBC is Off): Track, Time
 However, the direct search may not be supported for some discs.

2 Enter a number or time



When playing back a VCD, enter a PBC screen number (if PBC is On) or a track number (if PBC is Off).

To clear your incorrect entry, press **(CLEAR)**.

3 Search



The operation ends automatically if you do not operate within 10 seconds.

TV Control

Various control screens appear in the TV Source mode.

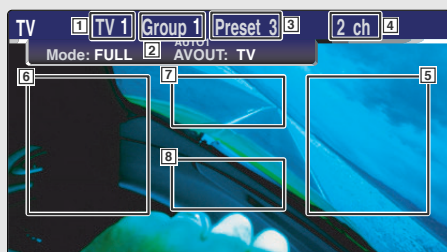
Displaying the TV Picture screen

Various control screens appear in the TV Source mode.



Selects the TV Pictures.

TV Picture screen



Displaying the Easy Control Panel

The Control Panel is displayed in a floating position of the TV picture.



Displaying the Easy Control Panel



- 1 TV Band Number Display
- 2 TV Area Group Display (South American sales only)
- 3 Memory Number Display
- 4 Channel Number Display
- 5 Channel Up Area
Increase the channel.
- 6 Channel Down Area
Decrease the channel.
- 7 Band/Video Switch Area
Switches to TV1, TV2, VIDEO1 or VIDEO2.
- 8 Information Display Button Area

- For TV picture selection and receiver key operations, see <KVT-915DVD Basic Operations> (see page 10).
- The information display is cleared automatically after approximately 5 seconds. Also, the information can be displayed automatically when it is updated (see page 74).

- 9 Adjusts the volume.
- 10 Switches the source.
- 11 Switches to Video (VIDEO1 or VIDEO2).
- 12 Switches the TV band (to TV1 or TV2).
- 13 Calls up a channel.
- 14 Switches the Seek mode.
(see page 24 for the <Seek Mode>)

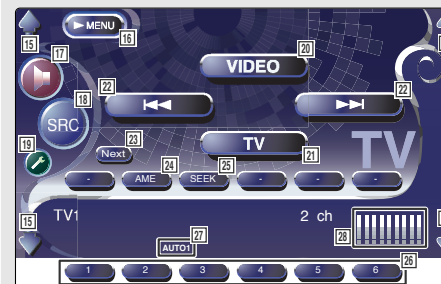
- The Easy Control Panel display is cleared when you touch the center of image display area.

Displaying the TV Control screen

You can tune in a TV station using various functions.



TV Control screen



Displaying the TV Menu screen

You can select menu options using various functions.



TV Menu screen



- 15 Adjusts the volume.
- 16 Calls the TV Menu.
- 17 Calls the Sound Effects Menu. (see page 82)
- 18 Switches the source.
Displays the Source Select screen when touched more than one second. (see page 57)
- 19 Calls the Setup Menu. (see page 59)
- 20 Switches to VIDEO1 or VIDEO2.
- 21 Switches to TV1 or TV2.
- 22 Select a channel.
Use the <Seek Mode> (see page 24) to change the channel tuning sequence.
- 23 Switches between 1 to 6 buttons and Function buttons to use.
- 24 Selects the Auto Memory mode.
(see page 24 for the <Auto Memory>)
- 25 Switches the Seek mode.
(see page 24 for the <Seek Mode>)
- 26 When 1 to 6 buttons appear, you can call up the channels from memory.
For memory of broadcasting stations, see <Auto Memory> (see page 24) or <Manual Memory> (see page 24).
- 27 Seek Mode Indicator
- 28 Clock/Level meter Display
When touched, the display of Clock 1, Level meter 1, Clock 2, and Level meter 2 are switched one after the other.
- 29 Selects options from various function menus.
- 30 Returns to the TV Control screen.

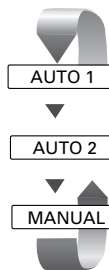
- The available functions vary depending on the model used (the tuner specifications and the broadcasting system that can be received).

Seek Mode

Sets a TV station selection.



If **SEEK** is not shown, touch **Next**.
The mode is switched each time you touch the button.



AUTO 1 Tunes in a station with good reception automatically.

AUTO 2 Tune in stations in memory one after another.

MANUAL Switches to the next channel manually.

Auto Memory

Stores stations with good reception in memory automatically.

1 Select a band you wish to store in memory



2 Select the Auto Memory mode



If **AME** is not shown, touch **Next**.

3 Start Auto Memory



Touch **Left** or **Right**.

Auto Memory terminates when 6 stations are stored or when all stations are tuned in.

The operation ends automatically if you do not operate within 10 seconds.

Manual Memory

Stores the current receiving channel in memory.

1 Select a channel you wish to store in memory



2 Store in memory



If **1** to **6** are not shown, touch **Next**.
Continue to touch until the memory number appears.

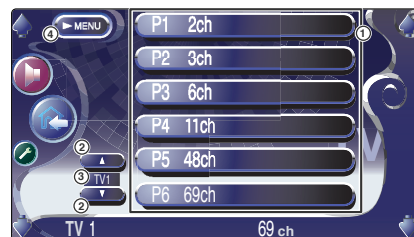
Preset Select

Lists and tunes in stations in memory one after the other.

1 Call the TV Menu



2 Call the Preset Select Menu



- ① Tunes in the displayed station.
If the station name is displayed if it has been set.
- ② Switches the band of the displayed station list.
- ③ Band Display.
- ④ Returns to the TV Menu.

Set Station Name

Names a station.

1 Select a station you wish to name



2 Call the TV Menu



3 Selects the Set Name mode



4 Enter a name

For character entry details, see <Character Entry> (see page 56).

5 Exit the Set Name mode



- You can store up to 20 stations in memory.
- You can set a station name only after you have applied the parking brake.

Direct Search

Tunes in a station when its channel number is entered.

1 Selects the Direct Search mode



2 Enter a channel number



When you enter a channel number, signal reception starts.

Example: When you receive Channel 06



Direct Search ends automatically if you do not operate within 10 seconds.

Tuner Control

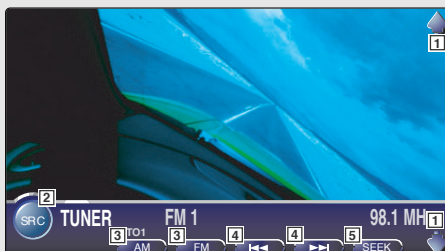
Various control screens appear in the Tuner Source mode.

Displaying the Easy Control Panel

The Tuner Control Panel is displayed in a floating position of the selected picture.



Displaying the Easy Control Panel



- 1 Adjusts the volume.
- 2 Switches the source.
- 3 Switches the band (to AM or FM1/2/3).
- 4 Tunes in a station
- 5 Switches the Seek mode.
(see page 28 for the <Seek Mode>)

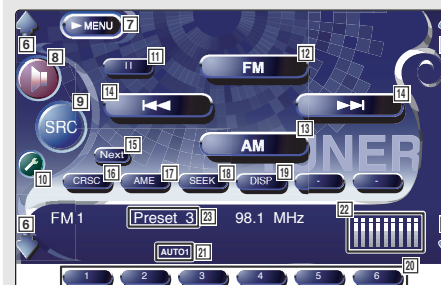
- For receiver key operations, see <KVT-915DVD Basic Operations> (see page 10).
- The Easy Control Panel display is cleared when you touch the center of image display area.

Displaying the Tuner Control screen

You can tune in a station using various functions.



Tuner Control screen



Displaying the Tuner Menu screen

You can select menu options using various functions.



Tuner Menu screen



- 6 Adjusts the volume.
- 7 Calls the Tuner Menu.
- 8 Calls the Sound Effects Menu. (see page 86)
- 9 Switches the source.
Displays the Source Select screen when touched more than one second. (see page 57)
- 10 Calls the Setup Menu. (see page 59)
- 11 Turns the Traffic Information function On or Off. (see <Traffic Information>, page 30)
- 12 Switches to the FM1/2/3 band.
- 13 Switches to the AM band.
- 14 Tunes in a station.
Use the <Seek Mode> to change the frequency switching.
- 15 Switches between 1 to 6 buttons and Function buttons to use.
- 16 Turns the CRSC function On or Off. (Only when receiving the FM broadcast)
- 17 Selects the Auto Memory mode. (See page 28 for the <Auto Memory>)
- 18 Switches the Seek mode. (see page 28 for the <Seek Mode>)
- 19 Selects the Program Service Name, Station Name, or Radio Text mode for text display.
- 20 When 1 to 6 buttons appear, you can call up the stations from memory.
For memory of broadcasting stations, see <Auto Memory> (see page 28) or <Manual Memory> (see page 28).
- 21 Seek Mode Indicator
- 22 Clock/Level meter Display
When touched, the display of Clock 1, Level meter 1, Clock 2, and Level meter 2 are switched one after the other.
- 23 Memory Number Display
- 24 Selects options from various function menus.
- 25 Returns to the Tuner Control screen.

The available functions vary depending on the model used (the tuner specifications and the broadcasting system that can be received).

Seek Mode

Sets a station selection.



If **SEEK** is not shown, touch **Next**.
The mode is switched each time you touch the button.



Tunes in a station with good reception automatically.



Tune in stations in memory one after another.



Switches to the next channel manually.

Auto Memory

Stores stations with good reception in memory automatically.

1 Select a band you wish to store in memory



2 Select the Auto Memory mode



If **AME** is not shown, touch **Next**.

3 Start Auto Memory



Touch **Left Arrow** or **Right Arrow**.

Auto Memory terminates when 6 stations are stored or when all stations are tuned in.

The operation ends automatically if you do not operate within 10 seconds.

Manual Memory

Stores the current receiving station in memory.

1 Select a station you wish to store in memory



2 Store in memory



If **1** to **6** are not shown, touch **Next**.
Continue to touch until the memory number appears.

Preset Select

Lists and tunes in stations in memory one after the other.

1 Call the Tuner Menu



2 Call the Preset Select Menu



- ① Tunes in the displayed station.
If the station name is displayed if it has been set.
- ② Switches the band of the displayed station list.
- ③ Band Display.
- ④ Returns to the Tuner Menu.
- ⑤ Switches the Station List display between the Program Service Name and SNPS (Frequency).

Set Station Name

Names a station.

1 Tune in a station you wish to name



2 Call the Tuner Menu



3 Selects the Set Name mode



4 Enter a name

For character entry details, see <Character Entry> (see page 56).

5 Exit the Set Name mode



- You can store up to 30 stations in memory.
- You can set a station name only after you have applied the parking brake.

Direct Search

Tunes in a station when its frequency is entered.

1 Select a band



2 Selects the Direct Search mode



3 Enter a frequency



When you enter them, signal reception starts.

Example: When you receive FM 92.1 MHz

0 9 2 1

Example: When you receive AM 810 kHz

0 8 1 0

The operation ends automatically if you do not operate within 10 seconds.

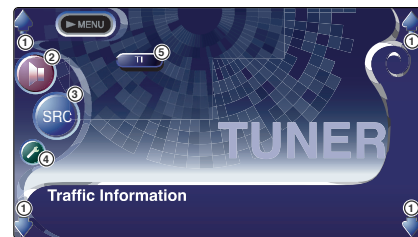
Traffic Information

When a traffic bulletin starts, any source is switched to the traffic information and it is displayed automatically.

When the traffic bulletin starts...

The Traffic Information screen appears automatically.

Traffic Information screen



- ① Control the volume.
- ② Calls the Sound Effects Menu. (see page 86)
- ③ Switches the source.
- ④ Calls the Setup Menu. (see page 59)
- ⑤ Turns the Traffic Information function on or off.

Preset of traffic information volume

1 Tune in a station

2 Adjust the volume

3 Preset the volume



Continue to touch the key until the volume is displayed.

The preset volume is used automatically when the traffic bulletin starts in the next time.

Search for Program Type

A program is tuned when you set its program type.

1 Call the Tuner Menu



2 Call the PTY Search Menu



- ① Selects a program type.
- ② Scrolls the program type list.
- ③ Searches for the program type.
It is displayed when the Program Type is selected.
- ④ Continue to touch more than 2 seconds, the currently receiving station is registered to have the selected program type.
- ⑤ Returns to the Tuner Menu.

3 Select a program type



4 Search for the program type



Radio Text

You can display the radio text.

1 Call the Tuner Menu



2 Display the Radio Text



- ① Displays the Radio Text.
- ② Scrolls the Radio Text.
It is displayed when information cannot be displayed on a single screen page.
- ③ Returns to the Tuner Menu.

CD/MP3/WMA/Disc Changer Play Control

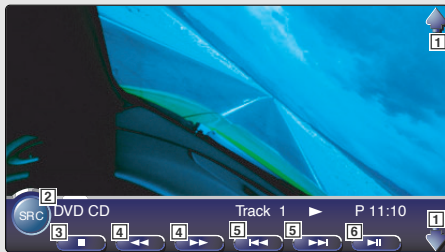
You can call various control screens during CD/MP3/WMA/Disc Changer playback.

Displaying the Easy Control Panel

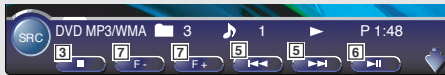
The CD/MP3/WMA/Disc Changer Play Control Panel is displayed in a floating position of the selected picture.



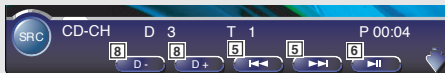
Display of Easy Control Panel
During CD playback



During MP3/WMA playback



During playback on disc changer



- 1 Adjusts the volume.
- 2 Switches the source.
- 3 Stops to play the built-in disc player.
- 4 When a CD is played back on the built-in disc player: Rewinds or fast forwards.
- 5 Selects a song.
- 6 Plays or pauses.
- 7 When an MP3/WMA is played back on the built-in disc player: Selects a folder.
- 8 When a disc is played back on the disc changer: Selects a disc.

- For CD/MP3/WMA/Disc Changer playback and receiver key operations, see <KVT-915DVD Basic Operations> (see page 10).
- The Easy Control Panel display is cleared when you touch the center of image display area.

Displaying the CD/MP3/WMA/Disc Changer Control screen

You can play the CD/MP3/WMA/disc changer using various functions.



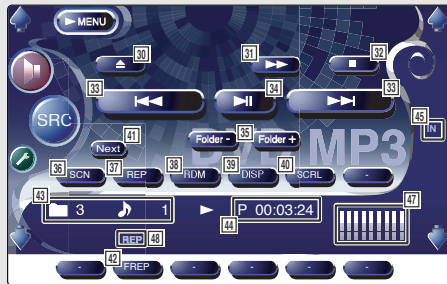
CD Control screen



During CD playback

- 9 Adjusts the volume.
- 10 Calls the CD/MP3/WMA/Disc Changer Menu.
- 11 Calls the Sound Effects Menu. (see page 86)
- 12 Switches the source. Displays the Source Select screen when touched more than one second. (see page 57)
- 13 Calls the Setup Menu. (see page 59)
- 14 Ejects the disc from the built-in disc player.
- 15 Fast Forwards or Rewinds.
- 16 Selects a track.
- 17 Plays or pauses.
- 18 Starts or stops Scan Play (that plays the beginning of each song one after the other).
- 19 Repeats to play (the present track).
- 20 Starts or stops Random Play (to play songs in random order).
- 21 Selects the Disc Name (see <Set Disc Name>, page 37), Disc Text, or Track Text mode for text display.
- 22 Scrolls the display text.
- 23 Switches the play time display between Track, Disc, and Disc Remaining Time.
- 24 Track Number Display
- 25 Play Time Display
- 26 Appears when a disc is inserted.
- 27 Stops to play the built-in disc player. When pressed twice, the disc is played from its beginning when you play it in the next time.
- 28 Clock/Level meter Display When touched, the display of Clock 1, Level meter 1, Clock 2, and Level meter 2 are switched one after the other.
- 29 Function Indicator

MP3/WMA Control screen



During MP3/WMA play

- 30 Ejects a disc.
- 31 Fast Forwards.
- 32 Stops to play.
When pressed twice, the disc is played back from its beginning in the next time.
- 33 Selects a song.
- 34 Plays or pauses.
- 35 Selects a folder.
- 36 Starts or stops Scan Play (that plays the beginning of each song one after the other).
- 37 Repeats to play (the present song).
- 38 Starts or stops Random Play (to play songs of the present folder in random order).
- 39 Selects the Folder name, File name, Title (ID3/WMA tag), Artist name (ID3/WMA tag), or Album name (ID3 tag) for text display.
- 40 Scrolls the display text.
- 41 Switches the button display.
- 42 Repeats to play the song of the present folder.
- 43 Folder and File Number Display
- 44 Play Time Display
- 45 Appears when a disc is inserted.
- 46 Clock/Level meter Display
When touched, the display of Clock 1, Level meter 1, Clock 2, and Level meter 2 are switched one after the other.
- 47 Function Indicator

Disc Changer Control screen



During play by the disc changer

- 48 Selects a track.
Starts Fast Forward or Fast Rewind when it is held down.
- 49 Selects a disc.
- 50 Plays or pauses.
- 51 Starts or stops Scan Play (that plays the beginning of each song one after the other).
- 52 Repeats to play (the present track).
- 53 Starts or stops Random Play (to play songs in random order).
- 54 Repeats to play disc (the present disc).
- 55 Starts or stops Magazine Random Play (to play songs of the disc changer in random order).
- 56 Switches the button display.
- 57 Selects the Disc Name (see <Set Disc Name>, page 37), Disc Text, or Track Text mode for text display.
- 58 Scrolls the display text.
- 59 Switches the play time display between Track, Disc, and Disc Remaining Time.
- 60 Disc Number Display
- 61 Track Number Display
- 62 Play Time Display
- 63 Clock/Level meter Display
When touched, the display of Clock 1, Level meter 1, Clock 2, and Level meter 2 are switched one after the other.
- 64 Function Indicator

Displaying the CD/MP3/WMA/Disc Changer Menu screen

You can select menu options using various functions.



CD Menu screen



- 65 Selects options from various function menus.
- 66 Returns to the CD/MP3/WMA/Disc Changer Control screen.

The available functions vary depending on the source used.

Set Disc Name

Names a CD.

- 1 Play a CD you wish to name
- 2 Call the CD/Disc Changer Menu



- 3 Select the Set Name mode



The **Name Set** position varies depending on the disc you are playing.

- 4 Enter a name

For character entry details, see <Character Entry> (see page 56).

- 5 Exit the Set Name mode



- You cannot name an MD or MP3/WMA disc.
 - You can store up to 100 disc names in memory.
- The receiver's Set Disc Name function uses the Memory Function of the receiver itself, rather than the memory function of disc changer or others.
- Therefore, you can store up to 100 disc names independent from the memory function of the attached device.

Select Folder (during MP3/WMA play)

The folders of an MP3/WMA disc are listed for quick search.

- 1 Call the MP3/WMA Menu



- 2 Start the Select Folder



- ① Returns to the root directory.
- ② Displays the next higher level of hierarchy.
- ③ Displays a folder if the subdirectory has a folder without files. When you touch the folder, it opens.
- ④ Displays a folder if the subdirectory has files without a folder. When you touch the folder, it opens.
- ⑤ Displays a folder if the subdirectory has both files and folders. When you touch the folder, it opens.
- ⑥ Displays the folder which has no files and folders in lower layers.
- ⑦ Displays the MP3/WMA files. When you touch a file, its song is played back.
- ⑧ Plays the selected folder.
- ⑨ Scrolls the list.

- 3 Select a song



Display the desired song and touch the file display.

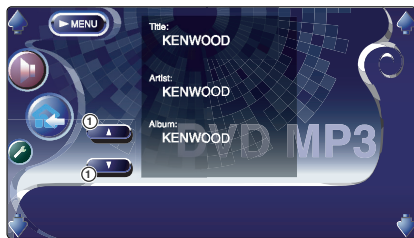
ID3/WMA TAG Display (during MP3/WMA play)

The ID3/WMA TAG information of MP3/WMA file is listed.

1 Call the MP3/WMA Menu



2 Display the ID3/WMA TAG



① Scrolls the list.

Disc Select (during play by disc changer)

The discs loaded on the disc changer are listed for quick disc selection.

1 Calls the Disc Changer Menu



2 Call the Disc Select Menu



- ① Plays the displayed disc.
- ② Selects the Disc Name or Disc Text mode for text display.
- ③ Scrolls the list.
(It is not displayed when a disc changer having 6 or less discs is used.)

3 Select the desired disc



Touch the desired disc display.

Direct Search

Searches for a disc or a song when its number is entered.

During play on the built-in disc player

1 Select the Direct Search mode



The following items can be searched directly each time it is pressed.

CD: Track number, Total play time
MP3/WMA: Folder, File

2 Enter a disc or track number



3 Search

When searching for a song:



During play on an external in disc player or disc changer

1 Enter a disc or track number



2 Search

When searching for a song:



When searching for a disc:



The operation ends automatically if you do not operate within 10 seconds.

Mute Telephone

When the telephone is called, the system is paused automatically.

When the telephone is called...

The Phone Call ("Call") screen appears, and system is paused.

Phone Call ("Call") screen



① Returns to the previous source screen and restart the system to play.

If you continue to listen the source audio during phone call...



The system restarts to play while the phone call is continued.

When the call ends...

Hang up the phone.
The system restarts to play.

SIRIUS Tuner Control <North American sales only>

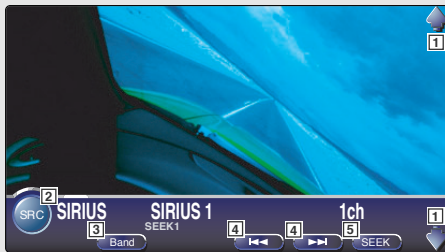
Various control screens appear in the SIRIUS Tuner source mode.

Displaying the Easy Control Panel

The SIRIUS Tuner Control Panel is displayed in a floating position of the selected picture.



Display of Easy Control Panel



- 1 Adjusts the volume.
- 2 Switches the source.
- 3 Switches the band.
- 4 Tunes in a station.
- 5 Switches the Seek mode.
SEEK 1: Tunes channels one after the other.
SEEK 2: Selects channels in memory one after the other.

- For system key operations, see <KVT-915DVD Basic Operations> (see page 10).
- The Easy Control Panel display is cleared when you touch the center of image display area.

Displaying the SIRIUS Tuner Control screen



SIRIUS Tuner Control screen



- 6 Adjusts the volume.
- 7 Calls the SIRIUS Tuner Menu.
- 8 Calls the Sound Effects Menu. (see page 86)
- 9 Switches the source.
Displays the Source Select screen when touched more than one second. (see page 57)
- 10 Calls the Setup Menu. (see page 59)
- 11 Tunes in a station.
- 12 Switches the band.
- 13 Switches between 1 to 6 buttons and Function button to use.
- 14 Starts or stops Channel Scan (that tunes channels one after the other).
- 15 Switches the Seek mode.
SEEK 1: Tunes channels one after the other.
SEEK 2: Selects channels in memory one after the other.
- 16 Changes the display from Song Title & Artist Name, Composer Name, Channel Name, to Category Name.
- 17 Scrolls the display text.
- 18 When 1 to 6 buttons appear, you can call up the channel from memory.
For memory of channel stations, see <Channel Memory> (see page 42) .
- 19 Seek Mode Indicator
- 20 Clock/Level meter Display
When touched, the display of Clock 1, Level meter 1, Clock 2, and Level meter 2 are switched one after the other.
- 21 Selects options from various function menus.
- 22 Returns to the SIRIUS Tuner Control screen.

Displaying the SIRIUS Tuner Menu

You can select menu options using various functions.



SIRIUS Tuner Menu screen



- For SIRIUS Tuner function details, see the Instruction Manual of KTC-SR901 SIRIUS Satellite Radio Tuner (optional accessory).

Channel Search

The categories and channels are listed for your channel selection.

1 Call the SIRIUS Tuner Menu



2 Start Channel Searching



The category list appears.

Category Selection screen



- ① Selects a category.
- ② Scrolls the list.
- ③ Returns to the SIRIUS Tuner Menu.

3 Select a category



The channel list of the selected category appears.

Channel Selection screen



- ① Tunes in a channel.
- ② Scrolls the list.
- ③ Returns to the Category Selection screen.
- ④ Returns to the SIRIUS Tuner Menu.

4 Select a channel



The selected channel is tuned.

Channel Memory

Stores the current receiving channel in memory.

1 Select a channel you wish to store in memory



2 Store in memory



If 1 to 6 are not shown, touch **Next**. Continue to touch until the memory number appears.

Direct Channel Search

A channel is tuned when you enter its number.

1 Call the SIRIUS Tuner Menu



2 Display the Direct Search screen



Direct Search screen



- ① Enters a channel number.
- ② Returns to the SIRIUS Tuner Menu.
- ③ Tunes in a channel when you enter its number.

3 Enter a channel number



4 Tuning



Information Display

The tuned program information is displayed.

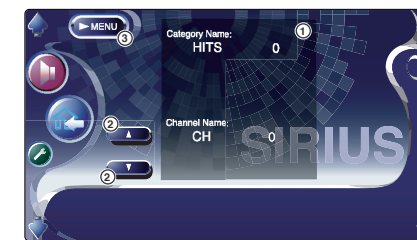
1 Call the SIRIUS Tuner Menu



2 Display the Information screen



Information screen



- ① Displays the information (such as Category Name, Channel Name, Artist Name, Song Title, and Composer).
- ② Scrolls the information display.
- ③ Returns to the SIRIUS Tuner Menu.

HD Radio Control <North American sales only>

Various control screens appear in the HD Radio Source mode.

Displaying the Easy Control Panel

The HD Radio Control Panel is displayed in a floating position of the selected picture.



Displaying the Easy Control Panel



- 1 Adjusts the volume.
- 2 Switches the source.
- 3 Switches the band (HD FM1/2/3, HD AM).
- 4 Tunes in a station.
- 5 Switches the Seek mode.
(see page 46 for the <Seek Mode>)

- For receiver key operations, see <KVT-915DVD Basic Operations> (see page 10).
- The Easy Control Panel display is cleared when you touch the center of image display area.

Displaying the HD Radio Control screen

You can tune in a station using various functions.

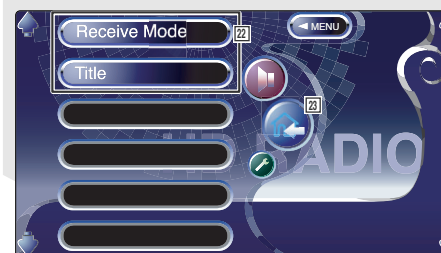


HD Radio Control screen



Displaying the HD Radio Menu screen

You can select menu options using various functions.



- 6 Adjusts the volume.
- 7 Calls the HD Radio Menu.
- 8 Calls the Sound Effects Menu. (see page 86)
- 9 Switches the source.
Displays the Source Select screen when touched more than one second. (see page 57)
- 10 Calls the Setup Menu. (see page 59)
- 11 Switches to the HD FM1/2/3 band.
- 12 Switches to the HD AM band.
- 13 Tunes in a station.
Use the <Seek Mode> to change the frequency switching.
- 14 Switches between 1 to 6 buttons and Function buttons to use.
- 15 Selects the Auto Memory mode.
(See page 46 for the <Auto Memory>)
- 16 Switches the Seek mode.
(see page 46 for the <Seek Mode>)
- 17 Switches between Station Name and Song Title display modes.
- 18 Scrolls the display text.
- 19 When 1 to 6 buttons appear, you can call up the stations from memory.
For memory of broadcasting stations, see <Auto Memory> (see page 46) or <Manual Memory> (see page 46).
- 20 Seek Mode Indicator
- 21 Clock/Level meter Display
When touched, the display of Clock 1, Level meter 1, Clock 2, and Level meter 2 are switched one after the other.
- 22 Selects options from various function menus.
- 23 Returns to the HD Radio Control screen.

- For HD Radio function details, see the Instruction Manual of KTC-HR100 HD Radio tuner (optional accessory).

Seek Mode

Sets a station selection.



If **SEEK** is not shown, touch **Next**.
The mode is switched each time you touch the button.



Tunes in a station with good reception automatically.



Tune in stations in memory one after another.



Switches to the next channel manually.

Auto Memory

Stores stations with good reception in memory automatically.

1 Select a band you wish to store in memory



2 Select the Auto Memory mode



If **AME** is not shown, touch **Next**.

3 Start Auto Memory



Touch **Left** or **Right**.

Auto Memory terminates when 6 stations are stored or when all stations are tuned in.

The operation ends automatically if you do not operate within 10 seconds.

Manual Memory

Stores the current receiving station in memory.

1 Select a station you wish to store in memory



2 Store in memory



If **1** to **6** are not shown, touch **Next**.
Continue to touch until the memory number appears.

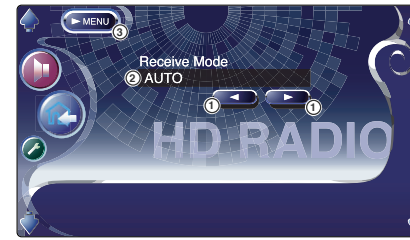
Receive Mode

The digital or analog program is selected and received.

1 Call the HD Radio Menu



2 Call the Receive mode Menu



- ① Switches the Receive mode.
- ② Receive mode Display.
- ③ Returns to the HD Radio Menu.

3 Select the Receive mode



AUTO: Automatically switches between the Digital and Analog Receive modes depending on the broadcasting type. If programs are broadcasted in both modes, the digital program is received. Also, if a program is received in the Ball Game mode (the non-displayed broadcast program), the analog program is automatically received.

DIGITAL: Receives the digital program only.
ANALOG: Receives the analog program only.

Title Display

An information about the received song is displayed.

1 Call the HD Radio Menu



2 Display the Title screen



Title screen



- ① Displays the information.
- ② Scrolls the information display.
- ③ Returns to the HD Radio Menu.

DAB Tuner control

Various control screens appear in the DAB Tuner source mode.

Displaying the Easy Control Panel

The DAB Tuner Control Panel is displayed in a floating position of the selected picture.



Display of Easy Control Panel



- 1 Adjusts the volume.
- 2 Switches the source.
- 3 Switches the band (to DAB1/2/3)
- 4 Selects a service.
- 5 Selects the Ensemble.
- 6 Switches the Seek mode.
(see page 50 for the <Seek Mode>)



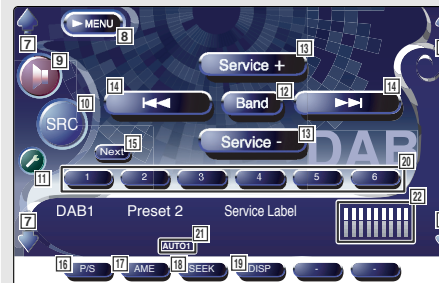
- For system key operations, see <KVT-915DVD Basic Operations> (see page 10).
- The Easy Control Panel display is cleared when you touch the center of image display area.

Displaying the DAB Tuner Control screen

You can select the Ensemble and services using various functions.



DAB Tuner Control screen



Displaying the DAB Tuner Menu screen

You can select menu options using various functions.



DAB Tuner Menu screen



- 7 Adjusts the volume.
- 8 Calls the DAB Tuner Menu.
- 9 Calls the Sound Effects Menu. (see page 86)
- 10 Switches the source.
Displays the Source Select screen when touched more than one second. (see page 57)
- 11 Calls the Setup Menu. (see page 59)
- 12 Switches the band (to DAB1/2/3).
- 13 Selects a service.
- 14 Selects the Ensemble.
- 15 Switches between 1 to 6 buttons and Function button to use.
- 16 Selects the primary or secondary operation.
- 17 Starts Auto Memory.
- 18 Switches the Seek mode.
(see page 50 for the <Seek Mode>)
- 19 Changes the display between Ensemble label, PTY label, Component label, Region label, and Audio quality.
- 20 When 1 to 6 buttons appear, you can call a service from memory.
- 21 Seek Mode Indicator
- 22 Clock/Level meter Display
When touched, the display of Clock 1, Level meter 1, Clock 2, and Level meter 2 are switched one after the other.
- 23 Selects options from various function menus.
- 24 Returns to the DAB Tuner Control screen.



- For DAB Tuner function details, see the Instruction Manual of KTC-9090DAB DAB Tuner (optional accessory).

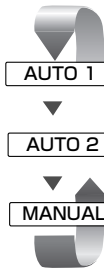
Seek Mode

A service selection method can be set.



If **SEEK** is not shown, touch **Next**.

The mode display is switched each time you touch the button.



AUTO 1 Tunes in an ensemble with good reception automatically.

AUTO 2 Selects services in memory one after another.

MANUAL Switches to the next channel manually.

Auto Ensemble Memory

An ensemble with good reception is stored in memory automatically.

1 Select a band you wish to store in memory



2 Select the Auto Memory mode



If **AME** is not shown, touch **Next**.

3 Start Auto Memory



Touch **Left Arrow** or **Right Arrow**.

Auto Memory terminates when 6 ensembles are stored or when all ensembles are tuned in.

Service Preset Memory

The current receiving service is stored in memory.

1 Select a service you wish to store in memory



2 Store in memory



If **1** to **6** are not shown, touch **Next**. Continue to touch until the memory number blinks once.

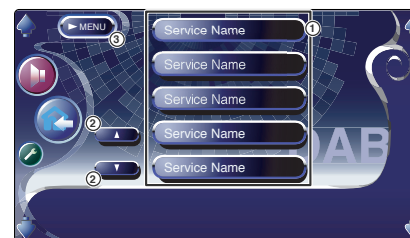
Service Select

The service list of the currently receiving ensemble is displayed for your selection.

1 Call the DAB Tuner Menu



2 Call the Service Select Menu



- ① Selects a service.
- ② Scrolls the service list.
- ③ Returns to the DAB Tuner Menu.

3 Select a service



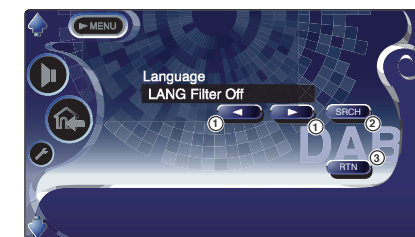
Language Filter

The languages are list for your selection.

1 Call the DAB Tuner Menu



2 Call the Language Filter Menu



- ① Selects a language.
- ② Searches for the selected language.
- ③ Returns to the DAB Tuner Menu.

3 Select a language you wish to use



4 Search for the language



Search for Program Type

The services are received when you set its program type.

1 Call the DAB Tuner Menu



2 Call the PTY Search Menu



- ① Selects a program type.
- ② Searches for the program type.
- ③ Displays the Language select screen.
- ④ Returns to the DAB Tuner Menu.

3 Select a program type



Select a Language

Display the Language select screen



- ① Selects a Language.
- ② Searches for the program type.
- ③ Returns to the PTY Search Menu.

Select a Language



4 Search for the program type



DAB Information

The DAB information is displayed.

1 Call the DAB Tuner Menu



2 Display the DAB Information screen



- ① Displays the DAB information (such as Service label, Ensemble label, Component label, Audio quality, Region label, and Dynamic label).
- ② Scrolls the information display.
- ③ Returns to the DAB Tuner Menu.

DAB Announcement

When the Announcement you have turned on starts, any source is switched to the Announcement automatically.

When the announcement starts...

The Announcement screen appears automatically.

Announcement screen



- ① Adjusts the volume.
- ② Calls the Sound Effects Menu. (see page 86)
- ③ Switches the source.
- ④ Calls the Setup Menu. (see page 59)

Weather Band Tuner Control

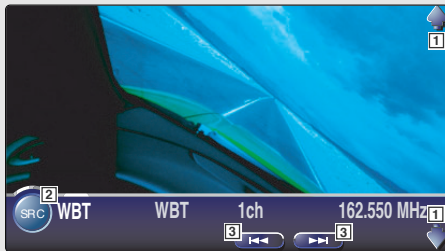
Various control screens appear in the Weather Band Tuner source mode.

Displaying the Easy Control Panel

The Weather Band Tuner Control Panel is displayed in a floating position of the selected picture.



Display of Easy Control Panel



- 1 Adjusts the volume.
- 2 Switches the source.
- 3 Tunes in a station.



- For system key operations, see <KVT-915DVD Basic Operations> (see page 10).
- The Easy Control Panel display is cleared when you touch the center of image display area.

Displaying the Weather Band Tuner Control screen



Weather Band Tuner Control screen



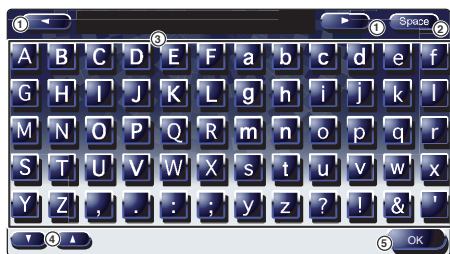
- 4 Adjusts the volume.
- 5 Calls the Sound Effects Menu. (see page 86)
- 6 Switches the source.
Displays the Source Select screen when touched more than one second. (see page 57)
- 7 Calls the Setup Menu. (see page 59)
- 8 Tunes in a station.
- 9 **Clock/Level meter Display**
When touched, the display of Clock 1, /Level meter 1, Clock 2, and /Level meter 2 are switched one after the other.

Character Entry


How To Use the Character Entry screen

When you select the Set Disc Name mode or others, the following screen appears for character entry.

Character Entry screen



- ① Shifts the cursor.
- ② Enters a space.
If you erase a character, locate the cursor on it and touch this button.
- ③ Enters characters.
- ④ Scrolls up or down the character button display.
- ⑤ Exits the Character Entry mode and returns to the previous screen.

 You can enter characters only after you have applied the parking brake.

Source Select

Source Select

The source you wish to listen to can be selected quickly.

Displaying the Control screen



Press this key several times until the Control screen appears.

Control screen

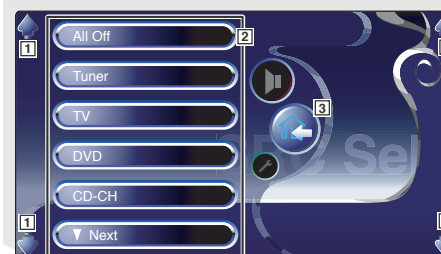



Displaying the Source Select screen



Continue to touch until the Source Select screen appears.

Source Select screen



 The Source Select screen can be displayed from the control screen of any source.

- ① Adjusts the volume.
- ② Select the source.
- ③ Returns to the Control screen previously displayed.

Adjusting the Monitor Display Position and Quality

English

Adjusting the Monitor Display Position and Quality

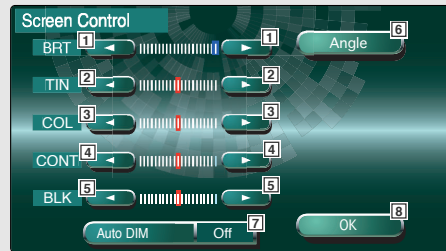
You can adjust the position and picture quality of the monitor.

Displaying the Screen Control screen

You can adjust the picture quality using the following keys.



Screen Control screen



- 1 **Brightness Control**
Disabled if the Auto Dimmer is On.
- 2 **Tint Control**
Displayed when an NTSC system image is displayed.
- 3 **Color Control**
Displayed on the TV and Video screen only.
- 4 **Contrast Control**
- 5 **Black Level Adjustment**
- 6 Displays the Adjust Monitor Position screen. (see <Displaying the Angle Control screen>, page 58)
- 7 **Auto Dimmer Setup**
When turned "On", the display is dimmed automatically when the ambient becomes dark.
- 8 Returns to the previous screen.

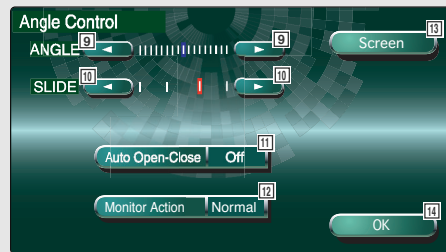
The Screen Control screen is displayed only when you have applied the parking brake.

Displaying the Angle Control screen

You can set the monitor position and open/close speed.



Angle Control screen



- 9 **Monitor Angle Adjustment**
- 10 **Forward/Backward Monitor Position Adjustment**
- 11 **Monitor Open/Close Setup**
When turned "On", the monitor is opened or closed automatically when you turn on or off the ignition key.
- 12 **Monitor Action Setup**
When set to "Quick", the monitor is opened quickly.
- 13 Returns to the Screen Control screen.
- 14 Returns to the previous screen.

Setup Menu

Setup Menu

You can set up various receiver parameters.

Displaying the Control screen



Press this key several times until the Control screen appears.

Control screen



You can call the same Setup Menu for the Control screen of each source.

Displaying the Setup Menu screen



Setup Menu screen



- 1 Adjusts the volume.
- 2 Scrolls the Setup Menu.
- 3 Calls each Setup Menu.
- 4 Recalls the previous Setup Menu.
- 5 Calls the Sound Effects Menu. (see page 86)
- 6 Returns to the Control screen of the previous source.

Your setup on the Sound Effects menu is adjusted automatically according to your <Audio Set Up> (see page 60) on the Setup menu. We recommend you to complete the <Audio Set Up> first, then set up the <Sound Effects menu>.

The available functions vary depending on the model used (the tuner specifications and the broadcasting system that can be received).

Audio Set Up

You can set up the car type and speaker system you use together with this unit.

Displaying the Car Type Set Up screen

If your vehicle type is selected, the Digital Time Alignment is set automatically (for timing adjustment of sound output for each channel) to have the highest surround effects.



Car Type Set Up screen



- 1 Adjusts the volume.
- 2 Returns to the Control screen of the previous source.
- 3 Calls the Sound Effects Menu. (see page 86)
- 4 Calls the Setup Menu.
- 5 Sets up the car type you use together with this unit.
- 6 Displays the DTA (Digital Time Alignment) Setup screen. (see page 64)
You can adjust the digital time alignment that was set automatically when you selected the car type.
- 7 Call the DTA screen setup from memory.
- 8 Displays the Speaker Set Up screen.

If **Audio Set Up** is not shown, touch **Prev** or **Next** to display it.

Displaying the Speaker Set Up screen

When the speaker type and size are set, the speaker crossover network and equalizer curve are set automatically.



Speaker Set Up screen



Displaying the Channel Level screen

You can set the volume at each setup position.



Channel Level screen



- 9 Selects a speaker to be set. (see <Speaker Set Up>, page 62)
- 10 Selects a speaker type. (see <Speaker Set Up>, page 62)
- 11 Stores your setup in memory. (see <Speaker Setup Memory>, page 65)
- 12 Displays the Speaker Crossover Setup screen. (See <Crossover Network Setup>, page 65)
You can adjust the crossover setup that was set automatically when you selected the speaker type.
- 13 Set the use or no use of tweeter. (see <Speaker Set Up>, page 62)
- 14 Displays the Channel Level Setup screen.
- 15 Displays the Car Type Set Up screen.

- 16 Selects a speaker to be set. (see <Channel Level>, page 63)
- 17 Sets the speaker volume. (see <Channel Level>, page 63)
- 18 Starts or stops test signal tone output for setup check.
- 19 Displays the Speaker Set Up screen.

Your setup on the <Sound Effects Menu> is adjusted automatically to get the best sound effects according to the car type and speaker you have set on the <Audio Set Up> (see page 60). We recommend you to complete the <Audio Set Up> first, then set up the <Sound Effects Menu>. You can fine-adjust the automatic set value by <DTA Setup> (see page 64), <Crossover Network Setup> (see page 65), or <Parametric Equalizer> (see page 91).

Speaker Set Up

Select a speaker type and its size to get the best sound effects.

1 Select a speaker you wish to adjust



Speaker Set Up screen



- ① Center speaker
- ② Front speaker
- ③ Rear speaker
- ④ Subwoofer
- ⑤ Tweeter setup

You can set the tweeter when you are selecting front speakers.

If you are using a tweeter together with the front speakers, set the tweeter to "Use". In the "Use" position, the Equalizer is adjusted to its best position.

2 Select a speaker type



You can select any of the following speaker types.

Center speaker:

NONE, 2 3/4x1 9/16 inch, 2 inch, 4 inch, 5 inch, 6 1/2 inch over

Front speakers:

OEM, 4 inch, 5 inch, 6 1/2 inch, 6 3/4 inch, 7 inch, 4x6 inches, 5x7 inches, 6x8 inches, 6x9 inches, 7x10 inches

Rear speakers:

NONE, OEM, 4inch, 5inch, 6 1/2inch, 6 3/4inch, 7inch, 4x6inches, 5x7inches, 6x8 inches, 6x9 inches, 7x10 inches

Subwoofer:

NONE, 6 1/2 inch, 8 inch, 10 inch, 12 inch, 15 inch over



- If you set the center speaker to "NONE" even in a short time when you are setting the SFC (see page 88) to "Bypass+Center", the SFC is set to "Bypass" automatically.
- If you set the center and rear speakers to "NONE" when you are setting the SFC (see page 88) to "Dolby PL II", the SFC is set to "Bypass" automatically.
- Select "NONE" if you have no speakers.

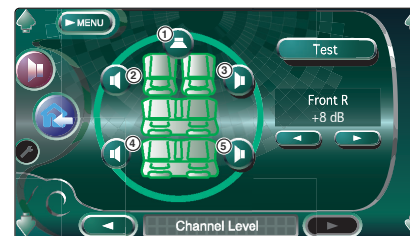
Channel Level

Set the volume at each setup position.

1 Select a speaker you wish to adjust



Channel Level setup screen



- ① Center speaker
- ② Left front speaker
- ③ Right front speaker
- ④ Left rear speaker
- ⑤ Right rear speaker

2 Adjust the volume



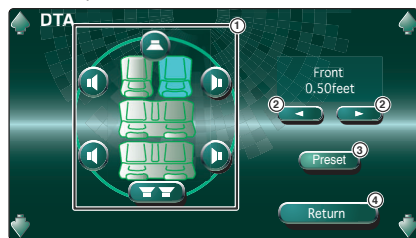
DTA Setup

Manually set the sound output timing of each channel.

1 Display the DTA Setup screen



DTA Setup screen



- ① Selects a speaker to be adjusted.
- ② Sets a delay time of the selected speaker.
- ③ Stores the adjusted status in memory or calls it from memory.
- ④ Returns to the Car Type Set Up screen.

2 Select a speaker you wish to adjust



- ① Center speaker
- ② Front speaker
- ③ Rear speaker
- ④ Subwoofer

3 Set a delay time



The speakers are virtually moved to the desired distance.
When the values of center speaker and front speakers increase, they are virtually moved forward. When the values of rear speakers and subwoofer increase, they are virtually moved backward.

Store or call your setup into/from memory

To store your setup in memory



Continue to touch more than 2 seconds.

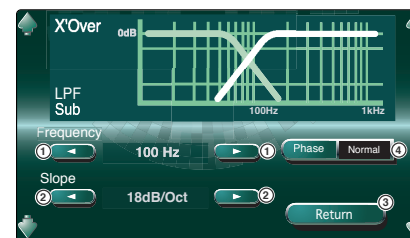
To call your setup from memory



You can also call the setup from memory by touching **Preset** (P61 ⑦) on the Car Type Set Up screen.

Crossover Network Setup

You can manually set a crossover frequency of speakers.



- ① Sets a crossover frequency.
- ② Sets a crossover slope.
- ③ Returns to the Speaker Set Up screen.
- ④ Sets the phase of subwoofer output (it is displayed when the subwoofer crossover frequency is set).
The phase is reversed 180 degrees when set to "Reverse".

- When you select a speaker type from the Speaker Setup screen, the crossover frequency setup is erased.
- During crossover setup, the speaker type is set to "USER" on the Speaker Set Up screen.

Speaker Setup Memory

You can store all of speaker and crossover setup in memory simultaneously.

To store your setup in memory



Continue to touch more than 2 seconds.

To call your setup from memory



DVD Setup

You can set up the DVD play.

Displaying the DVD SETUP 1 screen



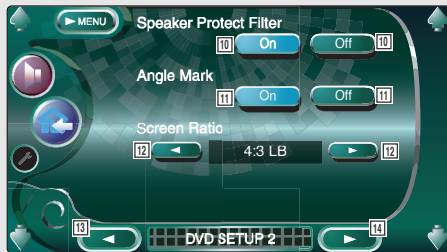
DVD SETUP 1 screen



Displaying the DVD SETUP 2 screen



DVD SETUP 2 screen



- 1 Adjusts the volume.
- 2 Returns to the Control screen of the previous source.
- 3 Calls the Sound Effects Menu. (see page 86)
- 4 Calls the Setup Menu.
- 5 Selects a disc menu language.*1 (See <Language Setup>, page 68)
- 6 Selects a subtitle language.*1 (See <Language Setup>, page 68)
- 7 Selects an audio language.*1 (See <Language Setup>, page 68)
- 8 Sets the dynamic range.*2 (Wide) The dynamic range is reduced by changing from "Wide" to "Normal" and from "Normal" to "Midnight". You can easy to listen a small sound when the dynamic range is narrow. This is effective only when you are using a Dolby Digital software.
- 9 Displays the DVD SETUP 2 screen.

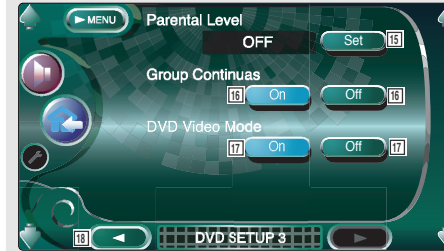
If DVD SETUP is not shown, touch Prev or Next to display it.

- 10 Turns the Speaker Protect filter On or Off. (On) Turn the Speaker Protect Filter "On" to protect speakers by cutting off the 70 kHz and higher frequency (or 90 kHz and higher frequency when the filter is "Off"). This function is effective when you are using a DVD Audio software having the 192kHz or 176.4kHz sampling frequency.
- 11 Sets an angle mark display. (On)
- 12 Selects the screen display mode.*1 (16:9) "16:9": Displays wide pictures. "4:3(LB)": Displays wide pictures in the Letter Box format (having black stripes at the top and bottom of screen). "4:3(PS)": Displays wide pictures in the Pan & Scan format (showing pictures cut at the right and left ends).
- 13 Displays the DVD SETUP 1 screen.
- 14 Displays the DVD SETUP 3 screen.

Displaying the DVD SETUP 3 screen



DVD SETUP 3 screen



- 15 Displays the Parental Lock screen.*1 (OFF) (See <Parental Level Setup>, page 69)
- 16 Turns the Continuous Group Play On or Off.*1 (Off) When turned "Off", the play is stopped or the menu is displayed after the group play has ended.
- 17 Sets the DVD Audio disc play mode.*1 (Off) When turned "On", a DVD Audio disc is played as the DVD Video disc.
- 18 Displays the DVD SETUP 2 screen.

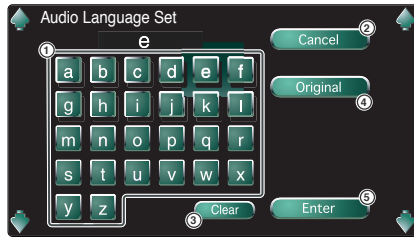
*1 Disabled when a DVD is being played.
*2 Disabled when the Zone function is On.

Language Setup

Select a language you use for the speech and menus.

1 Display the Language Setup screen

See <Displaying the DVD SETUP 1 screen> (see page 66) and select a language you wish to use.



- ① Enters a language code.
- ② Cancels the language setup and returns to the DVD SETUP 1 screen.
- ③ Clears the language code.
- ④ Sets the original audio language. (It appears during audio language setup.)
- ⑤ Sets the language and returns to the DVD SETUP 1 screen. (It appears after you have entered a language code.)

2 Enter a language code

See the Language Code Table shown at right to select the desired language.

3 Set the language you use



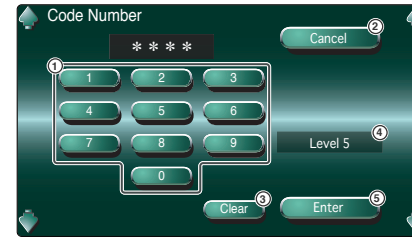
Language Code Table

Abbreviation	Language	Abbreviation	Language
aa	Afar	lv	Latvian, Lettish
ab	Abkhazian	mg	Malagasy
af	Afrikaans	mi	Maori
am	Amharic	mk	Macedonian
ar	Arabic	ml	Malayalam
as	Assamese	mn	Mongolian
ay	Aymara	mo	Moldavian
az	Azerbaijani	mr	Marathi
ba	Bashkir	ms	Malay
be	Byelorussian	mt	Maltese
bg	Bulgarian	my	Burmese
bh	Bihari	na	Nauru
bi	Bislama	ne	Nepali
bn	Bengali, Bangla	nl	Dutch
bo	Tibetan	no	Norwegian
br	Breton	oc	Occitan
ca	Catalan	om	(Afan) Oromo
co	Corsican	or	Oriya
cs	Czech	pa	Punjabi
cy	Welsh	pl	Polish
da	Danish	ps	Pashto, Pushto
de	German	pt	Portuguese
dz	Bhutani	qu	Quechua
el	Greek	rm	Rhaeto-Romance
en	English	rn	Kirundi
eo	Esperanto	ro	Romanian
es	Spanish	ru	Russian
et	Estonian	rw	Kinyarwanda
eu	Basque	sa	Sanskrit
fa	Persian	sd	Sindhi
fi	Finnish	sg	Sangho
fj	Fiji	sh	Serbo-Croatian
fo	Faroese	si	Singhalese
fr	French	sk	Slovak
fy	Frisian	sl	Slovenian
ga	Irish	sm	Samoan
gd	Scots Gaelic	sn	Shona
gl	Galician	so	Somali
gn	Guarani	sq	Albanian
gu	Gujarati	sr	Serbian
ha	Hausa	ss	Siswati
hi	Hindi	st	Sesotho
hr	Croatian	su	Sundanese
hu	Hungarian	sv	Swedish
hy	Armenian	sw	Swahili
ia	Interlingua	ta	Tamil
ie	Interlingue	te	Telugu
ik	Inupiak	tg	Tajik
in	Indonesian	th	Thai
is	Icelandic	ti	Tigrinya
it	Italian	tk	Turkmen
iw	Hebrew	tl	Tagalog
ja	Japanese	tn	Setswana
ji	Yiddish	to	Tongan
jw	Javanese	tr	Turkish
ka	Georgian	ts	Tsonga
kk	Kazakh	tt	Tatar
kl	Greenlandic	tw	Twi
km	Cambodian	uk	Ukrainian
kn	Kannada	ur	Urdu
ko	Korean	uz	Uzbek
ks	Kashmiri	vi	Vietnamese
ku	Kurdish	vo	Volapuk
ky	Kirghiz	wo	Wolof
la	Latin	xh	Xhosa
ln	Lingala	yo	Yoruba
lo	Laotian	zh	Chinese
lt	Lithuanian	zu	Zulu

Parental Level Setup

Sets a parental level.

1 Display the Parental Level code number screen



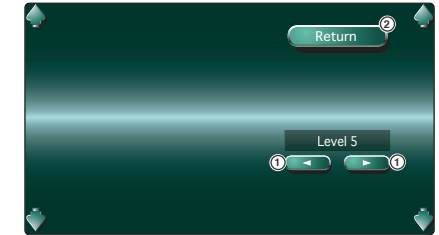
- ① Enters a code number.
- ② Cancels the current setup and returns to the DVD SETUP 3 screen.
- ③ Clears the code number.
- ④ Displays the present parental lock level.
- ⑤ Determines the code number and displays the Parental Level Setup screen.

2 Enter the code number



- The number you enter first is set as your code number.
- You can clear the code number by pressing the Reset button.

3 Display the Parental Level Setup screen



- ① Sets a parental level.
- ② Returns to the DVD SETUP 3 screen.

4 Set a parental level



5 Enter the parental level setup



- If a disc has a higher parental lock level, the audience needs to enter the code number.
- The parental lock level varies depending on a loaded disc.
- If a disc has no parental lock, any audience can play it back even when you have set the parental lock.

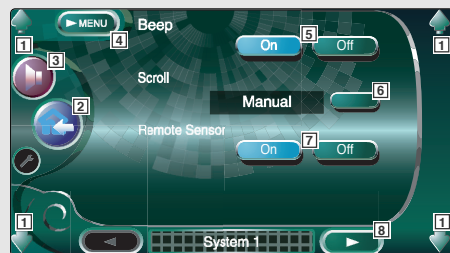
System Setup

You can set up the system parameters.

Displaying the System 1 screen



System 1 screen



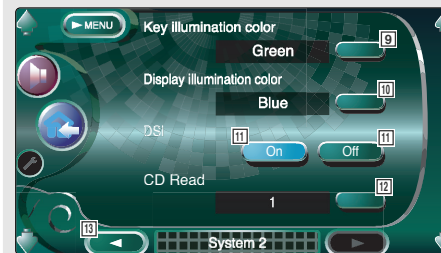
- 1 Adjusts the volume.
- 2 Returns to the Control screen of the previous source.
- 3 Calls the Sound Effects Menu. (see page 86)
- 4 Calls the Setup Menu.
- 5 Turns the key touch tone On or Off. (On)
- 6 Allows scrolling of text display on the Source Control screen. (Auto)
"Auto": Scrolls the screen automatically.
"Manual": Allows you to scroll the screen manually.
- 7 Selects a remote control signal. (On)
When turned "Off", the remote control of TV reception is rejected.
- 8 Displays the System 2 screen.

If is not shown, touch or to display it.

Displaying the System 2 screen



System 2 screen



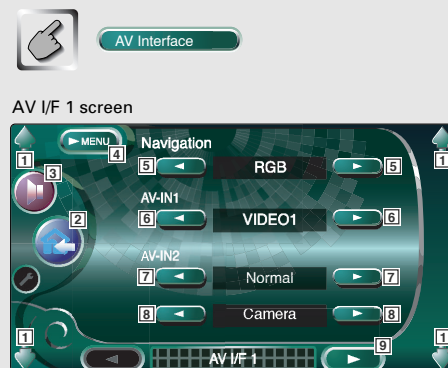
- 9 Selects an illumination color of receiver keys. (Red)
"Green": Green
"Red": Red
- 10 Selects an illumination color of the Small Display. (Blue)
"Blue": A blue color display
"Key Sync": The same color as the this unit button illumination color
- 11 Flashes the burglar alarm lamp if the protection panel is removed. (On)
- 12 Sets a music CD playback. (1)
"1": Automatically recognizes and plays back an MP3/WMA disc, a DVD or a music CD.
"2": Forcibly plays back a disc as a music CD. Select "2" if you wish to play a music CD having a special format or if you cannot play a disc in the "1" position.
- 13 Displays the System 1 screen.

• You cannot play an MP3/WMA/VCD disc in the "2" position. Also, you may not play some music CDs in the "2" position.
• Your setup is disabled when the disc is being played.

AV Interface

You can set audio and visual (AV) interface parameters.

Displaying the AV I/F 1 screen



- 1 Adjusts the volume.
- 2 Returns to the Control screen of the previous source.
- 3 Calls the Sound Effects Menu. (see page 86)
- 4 Calls the Setup Menu.
- 5 Selects a navigation system connection. (RGB)
"RGB": Allows the Kenwood's Navigation System to connect via its interface cable.
"AV-IN1": Allows a third-party navigation system to connect via the AV INPUT1 port.
"OFF": Must be used if no navigation system is connected. (The navigation display is cancelled when the AV source is switched.)
- 6 Sets a name to be displayed when you select a system that is connected via the AV INPUT1 port. (VIDEO1)

If you have set the navigation system connection to "AV IN1", the display is fixed to "NAV".

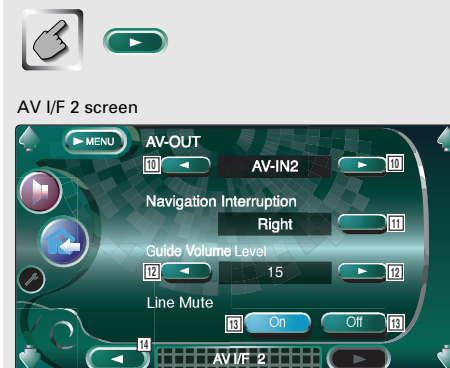
- 7 Sets an image display of the system that is connected via the AV INPUT2 port. (Normal)
"Normal": When the image source is switched, an image entered via the AV INPUT2 port is displayed.
"AUTO": When an image signal is entered via the AV INPUT2 port, this image is displayed.
"R-ViewCAM": An image entered via the AV INPUT2 port is displayed when the shift lever of the car is placed in the Reverse position.
- 8 Sets a name to be displayed when you select an image of the system that is connected via the AV INPUT2 port. (VIDEO2)

If you have selected the "R-ViewCAM" display for the AV INPUT2 port, the "R-ViewCAM" is always selected.

- 9 Displays the AV I/F 2 screen.

If is not shown, touch or to display it.

Displaying the AV I/F 2 screen



- 10 Selects an AV source to be output at the AV OUTPUT port. (TV)
- 11 Selects speakers used for voice guidance of the navigation system. (Left)
"Left": Uses the front left side speaker for voice guidance.
"Right": Uses the front right side speaker for voice guidance.
"Front All": Uses both front speakers for voice guidance.
- 12 Adjusts the volume for voice guidance of the navigation system. (19)
- 13 Adjusts the volume for voice guidance of the navigation system. (On)
When turned "On", the volume level drops for voice guidance.
- 14 Displays the AV I/F 1 screen.

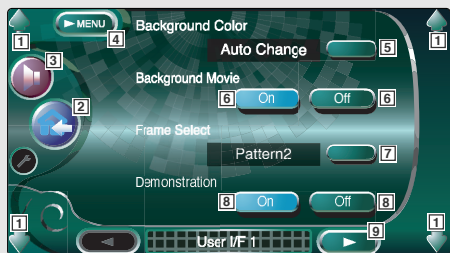
User Interface

You can set up user interface (IF) parameters.

Displaying the User I/F 1 screen



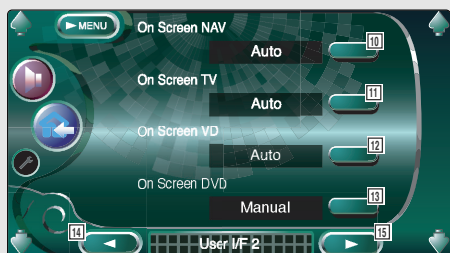
User I/F 1 screen



Displaying the User I/F 2 screen



User I/F 2 screen



- 1 Adjusts the volume.
- 2 Returns to the Control screen of the previous source.
- 3 Calls the Sound Effects Menu. (see page 86)
- 4 Calls the Setup Menu.
- 5 Selects a background color of the Source Control screen. (☑ No Change)
If you select the "Auto Change", the background color is gradually changed automatically.
- 6 Turns the background motion picture of the Source Control screen On or Off. (☑ On)
- 7 Selects a frame pattern. (☑ Pattern1)
You can select "Pattern1" or "Pattern2".
- 8 Turns the screen saver On or Off on the Source Control screen. (☑ On)
If you turn it On and if you do not operate within one minute on the Control screen of the selected source, the screen saver starts.
The screen saver is canceled when the screen is touched.
- 9 Displays the User I/F 2 screen.

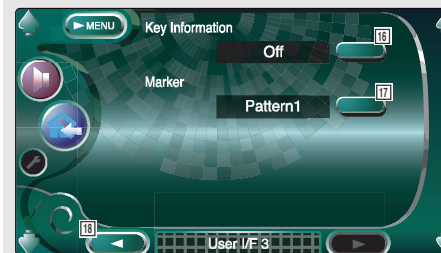
If **User Interface** is not shown, touch **Prev.** or **Next** to display it.

- 10 Sets an on-screen display of the navigation screen. (☑ Auto)
If you set to "Auto", an information is displayed for 5 seconds when updated.
- 11 Sets an on-screen display of the TV screen. (☑ Auto)
If you set to "Auto", an information is displayed for 5 seconds when updated.
- 12 Sets an on-screen display of the video playback screen. (☑ Auto)
If you set to "Auto", an information is displayed for 5 seconds when updated.
- 13 Sets an on-screen display of the DVD playback screen. (☑ Manual)
If you set to "Auto", an information is displayed for 5 seconds when updated.
- 14 Displays the User I/F 1 screen.
- 15 Displays the User I/F 3 screen.

Displaying the User I/F 3 screen



User I/F 3 screen



- 16 Turns the information display On or Off when a button is touched on the Source Control screen. (☑ On)
- 17 Sets a point display when you touch the screen. (☑ Pattern1)
You can select "Pattern1", "Pattern2" or "OFF".
- 18 Displays the User I/F 2 screen.

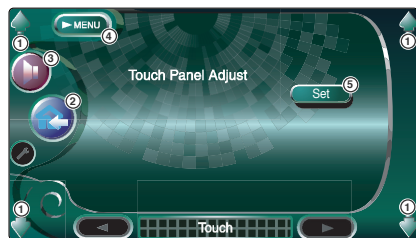
Touch Panel Adjust

You can adjust the touch panel operations.

1 Display the Touch Panel Adjust screen

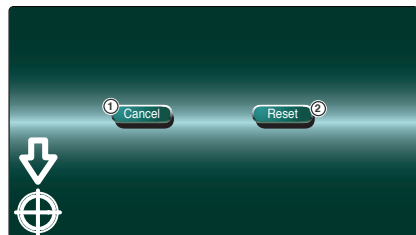


If **Touch** is not shown, touch **Prev.** or **Next** to display it.



- ① Adjusts the volume.
- ② Returns to the Control screen of the previous source.
- ③ Calls the Sound Effects Menu. (see page 86)
- ④ Calls the Setup Menu.
- ⑤ Allows you to start touch panel adjustment.


2 Start to adjust the touch panel



- ① Cancels the adjustment and returns to the Touch Panel Adjust screen.
- ② Resets to the initial status.

3 Adjustment



Touch the center of left lower and right upper  when requested.

Clock

Adjusts the clock time

1 Display the Clock Screen



If **Clock** is not shown, touch **Prev.** or **Next** to display it.



- ① Adjusts the volume.
- ② Returns to the Control screen of the previous source.
- ③ Calls the Sound Effects Menu. (see page 86)
- ④ Calls the Setup Menu.
- ⑤ Clock time display.
- ⑥ Adjusts hours.
- ⑦ Adjusts minutes.
- ⑧ Sets "00" minute.
Setup examples: 3:00~3:29 → 3:00
3:30~3:59 → 4:00
- ⑨ Sets the clock time in synchronous with the time data sent from the RDS station. (Off)
When turned "On", the synchronous mode starts and the clock cannot be adjusted manually.

2 Adjust the clock time



Security Code Setup

You can set a security code to protect your receiver system against theft.

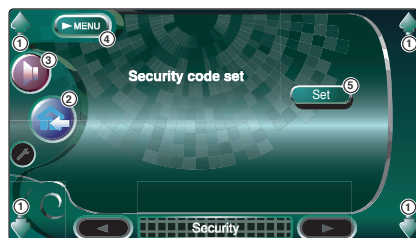
When the Security Code function is activated, the code can't be changed and the function can't be released.

Note, the Security Code can be set as the 4 digit number of your choice.

1 Display the Security Code Setup screen



If **Security** is not shown, touch **Prev** or **Next** to display it.



- ① Adjusts the volume.
- ② Returns to the Control screen of the previous source.
- ③ Calls the Sound Effects Menu. (see page 86)
- ④ Calls the Setup Menu.
- ⑤ Allows you to start security code registration.

If you have already completed the code registration, the **Set** is not displayed.

2 Start the security code registration



- ① Enters a security code.
- ② Clears your entry.
- ③ Cancels the registration and returns to the Security Code Setup screen.
- ④ Enters the security code.

3 Enter a security code



Input a four-digit number.

4 Register your security code



5 Reenter the security code

Reenter the same security code as that you have entered in Step 3 for confirmation.

If you enter a different security code, the screen returns to Step 3 (for the first code entry).

6 Register the security code again



Your security code has been registered. If you press the Reset button or if you disconnect your Receiver from the battery after the code registration, you need to enter the registered security code. See below for details.

If you have pressed the Reset button or if you have disconnected the Receiver from battery...

1 Enter the correct security code



You must enter the same security code as that you have entered in Step 3 above.

2 Enter the security code



Now, you can use your Receiver.

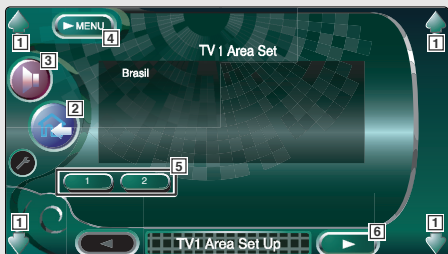
TV Setup <South American sales only>

The TV signal receiving areas can be set.

Displaying the TV1 Area Set Up screen



TV1 Area Set screen



- 1 Adjusts the volume.
- 2 Returns to the Control screen of the previous source.
- 3 Calls the Sound Effects Menu. (see page 86)
- 4 Calls the Setup Menu.
- 5 Sets the present TV1 receiving area.
- 6 Displays the TV2 Area Set Up screen.

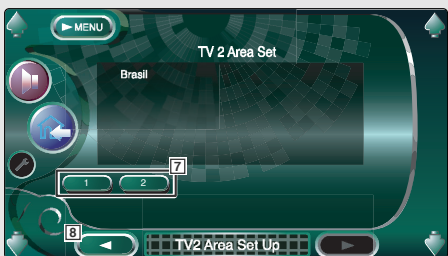
If **TV Set Up** is not shown, touch **Prev** or **Next** to display it.



Displaying the TV2 Area Set Up screen



TV2 Area Set screen



- 7 Sets the present TV2 receiving area.
- 8 Displays the TV1 Area Set Up screen.

SIRIUS Setup <North American sales only>

You can display the SIRIUS ID.

Displaying the SIRIUS Set Up screen



SIRIUS Set Up screen



- 1 Adjusts the volume.
- 2 Returns to the Control screen of the previous source.
- 3 Calls the Sound Effects Menu. (see page 86)
- 4 Calls the Setup Menu.
- 5 Displays the SIRIUS ID

If **SIRIUS Set Up** is not shown, touch **Prev** or **Next** to display it.

DAB Set Up

The DAB reception can be set.

Displaying the DAB Set Up screen



DAB Set Up screen



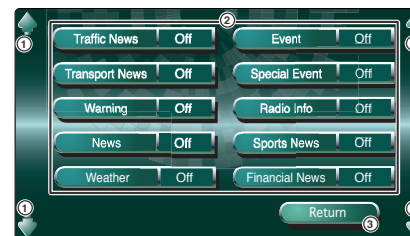
- 1 Adjusts the volume.
- 2 Calls the Sound Effects Menu. (see page 86)
- 3 Returns to the Control screen of the previous source.
- 4 Calls the Setup Menu.
- 5 Turns the DAB Priority On or Off.
- 6 Turns the Dynamic Range Control function On or Off.
- 7 Turns the Regional Announcement function On or Off.
- 8 Sets a program type to be selected automatically when the receiving ensemble starts.
- 9 Displays the Announcement Selection screen.

If **DAB Set Up** is not shown, touch **Prev** or **Next** to display it.

Announcement Selection

Various announcement reception parameters can be set.

1 Displays the Announcement Selection screen



- 1 Adjusts the volume.
- 2 Turns the Announcement Reception function On or Off.
- 3 Enters the setup and returns to the DAB Set Up screen.

2 Set the announcement parameters



- 1 Traffic information
- 2 Time table information of public transportation services
- 3 Lower priority items than alarms (power failure, cutoff of water supply and others)
- 4 News flash
- 5 Weather forecasting
- 6 Event information
- 7 Undetermined event information
- 8 Programme information, advance notice
- 9 Sports news
- 10 Financial news

3 Terminate the setup



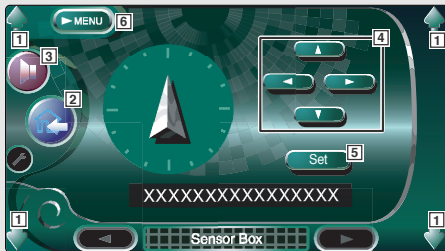
Sensor

You can set up the optional KPA-SS100 Sensor Box.

Displaying the Sensor Box screen



Sensor Box screen



- 1 Adjusts the volume.
- 2 Returns to the Control screen of the previous source.
- 3 Calls the Sound Effects Menu. (see page 86)
- 4 Selects menu options.
- 5 Enters your setup.
- 6 Calls the Setup Menu.

- If **Sensor** is not shown, touch **Prev** or **Next** to display it.
- For setup details, see the KPA-SS100 Instruction Manual.

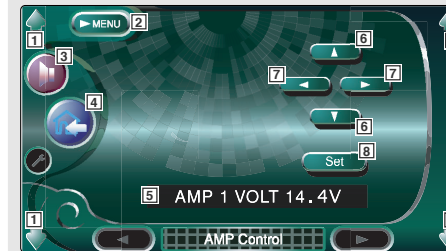
AMP Control

Sets the power amp connected via the LX bus.

Displaying the AMP Control screen



AMP Control screen



- 1 Adjusts the volume.
- 2 Calls the Setup Menu.
- 3 Calls the Sound Effects Menu. (see page 86)
- 4 Returns to the Control screen of the previous source.
- 5 Setup option and value display
- 6 Select a setup option.
- 7 Selects a set value.
- 8 Enters the set value.

- If **AMP Control** is not shown, touch **Prev** or **Next** to display it.
- For the model name of amp you can control from the system, see the amp's catalog.
- For the options and values you can change and for the amp's operation when changed, see the amp's instruction manual.

Sound Effects Menu

You can set up the receiver sound effects.

Displaying the Control screen



Control screen



Displaying the Sound Effects Menu screen



Sound Effects screen



You can display the same Sound Effects Menu on the Control screen of any source.

- 1 Adjusts the volume.
- 2 Calls the Sound Effects Menu.
- 3 Recalls the previous Sound Effects Menu.
- 4 Calls the Setup Menu. (see page 59)
- 5 Returns to the Control screen of the previous source.

Your setup on the <Sound Effects Menu> is adjusted automatically according to your <Audio Set Up> (see page 60) on the Setup menu. We recommend you to complete the <Audio Set Up> first, then set up the <Sound Effects Menu>.

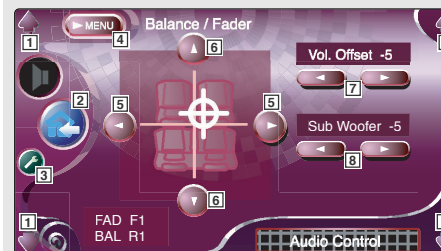
Audio Control

You can adjust the front and rear and right and left audio balance.

Displaying the Audio Control screen



Audio Control screen



- 1 Adjusts the volume.
- 2 Returns to the Control screen of the previous source.
- 3 Calls the Setup Menu. (see page 59)
- 4 Calls the Sound Effects Menu.
- 5 Adjusts the right and left volume balance.
- 6 Adjusts the front and rear volume balance.
- 7 Adjusts the volume of the present source based on the difference level of original volume.
- 8 Adjusts the subwoofer volume.

If you have increased the volume first, then reduced it using the "Vol. Offset", the big sound may suddenly be generated when you switch to another source.

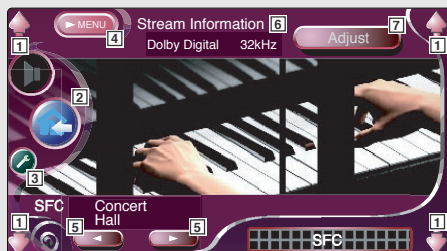
SFC

You can set up the sound field.

Displaying the SFC screen



SFC screen



- 1 Adjusts the volume.
 - 2 Returns to the Control screen of the previous source.
 - 3 Calls the Setup Menu. (see page 59)
 - 4 Calls the Sound Effects Menu.
 - 5 Sets a sound field.
You can select any of the following sound fields.
 - "Bypass"
 - "Stadium"
 - "Concert Hall"
 - "Live House"
 - "Theater"
 - "Disco"
 - "Club Disco"
 - "Jazz Club"
 - "Studio"
 - "Listening Room"
 - "Church"
 - "Bypass+Center"
 - "Dolby PL II Music"
 - "Dolby PL II Movie"
 - "Dolby PL II Matrix"
 - 6 Displays the present source information.
The stream (Dolby Digital, dts, Linear PCM, Packed PCM, MPEG or MP3/WMA), input channels (front or rear channels), and sampling frequency are displayed.
 - 7 Displays the SFC Adjustment screen.
(See <SFC Adjustment>, page 89)
- If you select "Dolby PL II" when selecting a source other than the built-in player, the play of DVD source is stopped.
- When you have selected the TV or TUNER source and when you set the Dolby PL, we recommend you to select the "Dolby PL II Matrix" mode. If you select another Dolby PL mode, the sound is NOT output from rear speakers when you receive monaural broadcasting sounds.

SFC Adjustment

You can adjust the sound field.

1 Display the SFC Adjustment screen

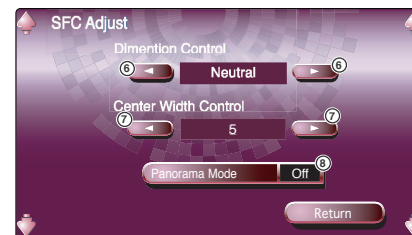


SFC Adjust screen



- 1 Adjusts the volume.
- 2 Sets a sound field effects level.
- 3 Adjusts the bass boost level of the rear speaker.
- 4 Adjusts the volume level of center speaker.
- 5 Enters your setup and returns to the SFC Control screen.

If the sound field of "Dolby PL II Music" has been set:



- 6 Sets the surround position by adjusting the front and rear volume balance.
- 7 Sets the vocal image position by adjusting the right and left vocal volume level.
- 8 Turns the Panorama mode On or Off.

- You cannot use the <SFC Adjustment> during playback of a 5.1-channel source, "dts", and "Dolby Digital".
- You cannot use the <SFC Adjustment> when the sound field of "Dolby PL II Movie", or "Dolby PL II Matrix" has been set.

2 Adjust the sound field



3 Exit the sound field adjustment



Equalizer

You can set up the equalizer.

Displaying the Equalizer screen

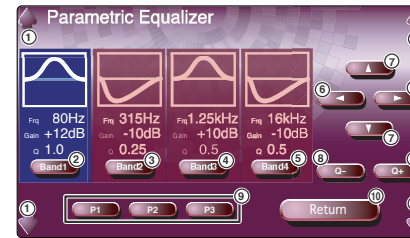


- 1 Adjusts the volume.
- 2 Returns to the Control screen of the previous source.
- 3 Calls the Setup Menu. (see page 59)
- 4 Calls the Sound Effects Menu.
- 5 Adjusts the bass boost of the B.M.S power amplifier (optional accessory).
 You may not set some models of power amp boost to "+18". See the catalog or instruction manual of power amplifier.
- 6 Set the center frequency of bass boost you have set for the "Amp Bass".
 If you set it to "Low", the center frequency is dropped for 20 to 30%.
- 7 Displays the Parametric Equalizer screen. (see page 91)
 You can adjust the value set for the Equalizer Curve Type.
- 8 Selects an equalizer curve type.
 You can select any of the following equalizer curves.
 - "NATURAL"
 - "ROCK"
 - "TOP 40"
 - "DANCE"
 - "VOCAL"
 - "CLASSIC"

Parametric Equalizer

You can Manually set the equalizer curve by adjusting the center frequency, gain and Q value.

1 Display the Parametric Equalizer screen



- 1 Adjusts the volume.
- 2, 3, 4, 5 Select a band to be adjusted.
- 6 Sets a frequency.
- 7 Sets a gain level.
- 8 Sets a Q value.
- 9 Store the present equalizer curve in memory, or calls it from memory.
- 10 Exits the Parametric Equalizer setup and returns to the Equalizer screen.

2 Select a frequency band you wish to adjust



- You can adjust the following frequency bands.
- 2 60, 80, 100, 120, 160, 200, 250 Hz
 - 3 315, 400, 500, 630, 800, 1k Hz
 - 4 1.25k, 1.6k, 2k, 2.5k, 3.15k, 4k Hz
 - 5 5k, 6.3k, 8k, 10k, 12.5k, 16k Hz

3 Set a center frequency



4 Set a gain



5 Set a Q value



Store or call the equalizer curve into/from memory

To store the equalizer curve in memory:



Continue to touch **P1** to **P3** more than 2 seconds.

To call the equalizer curve from memory:



Touch **P1** to **P3** of the equalizer curve you wish to call from memory.
 When you call an equalizer curve, its type is shown as "USER#".

6 Close the Parametric Equalizer screen



Position

You can adjust the sound effects according to your listening position.

Displaying the Position screen



Position screen



- 1 Adjusts the volume.
- 2 Returns to the Control screen of the previous source.
- 3 Calls the Setup Menu. (see page 59)
- 4 Calls the Sound Effects Menu.
- 5 Sets a listening position. You can select any of "FRONT R" (Right front), "FRONT L" (Left front), "FRONT ALL" (All front), and "ALL" (All) positions.
- 6 Displays the Position Fine Control screen. (see page 89)
- 7 Call your setup you have stored in memory from the Position Fine Control screen.

- The final distance is adjusted to the total of Car Type Set Up value (see page 60) and Position Setup (both Position and Position Fine Control) value.
- If you change the Car Type Set Up value (see page 60), the position is set to "ALL".

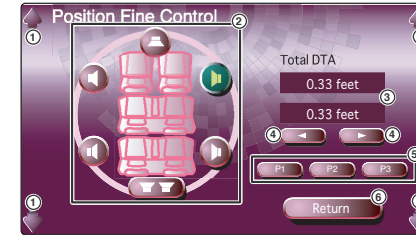
Position Fine Control

You can fine-adjust your listening position.

1 Display the Position Fine Control screen



Position Fine Control screen



- 1 Adjusts the volume.
- 2 Selects a speaker to be adjusted.
- 3 Indication of setup distance. The adjusted distance (Position and Position Fine Control values), and the total of the distance adjusted by Car Type Set Up (see page 60) and the adjustment distance for position setup are indicated.
- 4 Adjust the distance to each speaker.
- 5 Stores the present adjustment setup in memory, or calls it from memory.
- 6 Exits the Position Fine Control setup and returns to the Position screen.

2 Select a speaker you wish to adjust



- 1 Center speaker
- 2 Left front speaker
- 3 Right front speaker
- 4 Left rear speaker
- 5 Right rear speaker
- 6 Subwoofer

3 Set a delay time



Store or call your adjustment into/from memory

To store your adjustment in memory:



Continue to touch **P1** to **P3** more than 2 seconds.

To call your adjustment from memory:



Touch **P1** to **P3** of your adjustment you wish to call from memory.

- You can also call your adjustment setup in memory using **P1** to **P3** buttons on the Position screen (see page 92).
- Only the adjusted distance of position setup (Position and Position Fine Control values) is stored in memory. Therefore, the final adjustment distance changes if you change the Car Type Set Up value (see page 60).

4 Close the Position Fine Control Screen



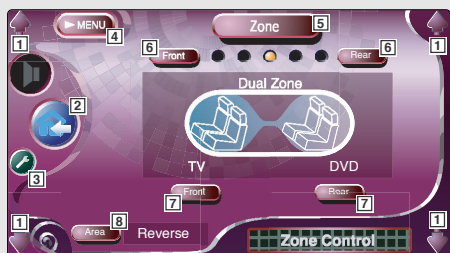
Zone Control



You can set the front and rear audio source.

Displaying the Zone Control screen



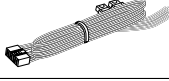

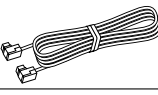

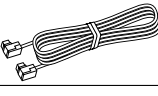
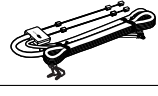
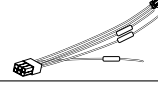

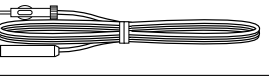

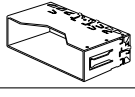





Zone Control screen



- 1 Adjusts the volume.
- 2 Returns to the Control screen of the previous source.
- 3 Calls the Setup Menu. (see page 59)
- 4 Calls the Sound Effects Menu.
- 5 Turns the Zone Function (that sets different source sounds for front and rear speakers) On or Off. When turned On, **Front** and **Rear** are shown.
- 6 Adjust the front and rear audio balance. (This button appears when the Zone function is On.)
 When the Zone function is turned On, this button appears on the all source control screen.
- 7 Sets the front and rear audio source separately. (This button appears when the Zone function is On.)
 When the rear speaker sound is switched, the audio source that is output at the AV OUTPUT terminal is also switched to the same source. However, if you have set the "Area" to "Reverse", the audio source that is output at the AV OUTPUT terminal is switched depending on the front sound source.
- 8 Switches the front and rear audio sources. (This button appears when the Zone function is On.) Use "Reverse" to change over the front and rear audio sources.

Before Installation

Accessories

① 1	⑨ 4
② 1	⑩ 2
③ 1	⑪ 2
④ 1	⑫ 6
⑤ 1	⑬ 2
⑥ 1	⑭ 4
⑦ 2	⑮ 4
⑧ 4	⑯ 1

Installation Procedure

1. To prevent a short circuit, remove the key from the ignition and disconnect the ⊖ battery.
2. Make the proper input and output wire connections for each unit.
3. Connect the speaker wires of the wiring harness.
4. Connect the wiring harness wires in the following order: ground, battery, ignition.
5. Connect the wiring harness connector to the unit.
6. Install the unit in your car.
7. Reconnect the ⊖ battery.
8. Press the reset button.

⚠ WARNING

If you connect the ignition wire (red) and the battery wire (yellow) to the car chassis (ground), you may cause a short circuit, that in turn may start a fire. Always connect those wires to the power source running through the fuse box.

⚠ CAUTION

- If your car's ignition does not have an ACC position, connect the ignition wires to a power source that can be turned on and off with the ignition key. If you connect the ignition wire to a power source with a constant voltage supply, as with battery wires, the battery may die.
- If the console has a lid, make sure to install the unit so that the faceplate will not hit the lid when closing and opening.
- If the fuse blows, first make sure the wires aren't touching to cause a short circuit, then replace the old fuse with one with the same rating.
- Insulate unconnected wires with vinyl tape or other similar material. To prevent a short circuit, do not remove the caps on the ends of the unconnected wires or the terminals.
- Connect the speaker wires correctly to the terminals to which they correspond. The unit may be damaged or fail to work if you share the ⊖ wires or ground them to any metal part in the car.
- When only two speakers are being connected to the system, connect the connectors either to both the front output terminals or to both the rear output terminals (do not mix front and rear). For example, if you connect the ⊕ connector of the left speaker to a front output terminal, do not connect the ⊖ connector to a rear output terminal.
- After the unit is installed, check whether the brake lamps, blinkers, wipers, etc. on the car are working properly.
- Mount the unit so that the mounting angle is 30° or less.

Connection

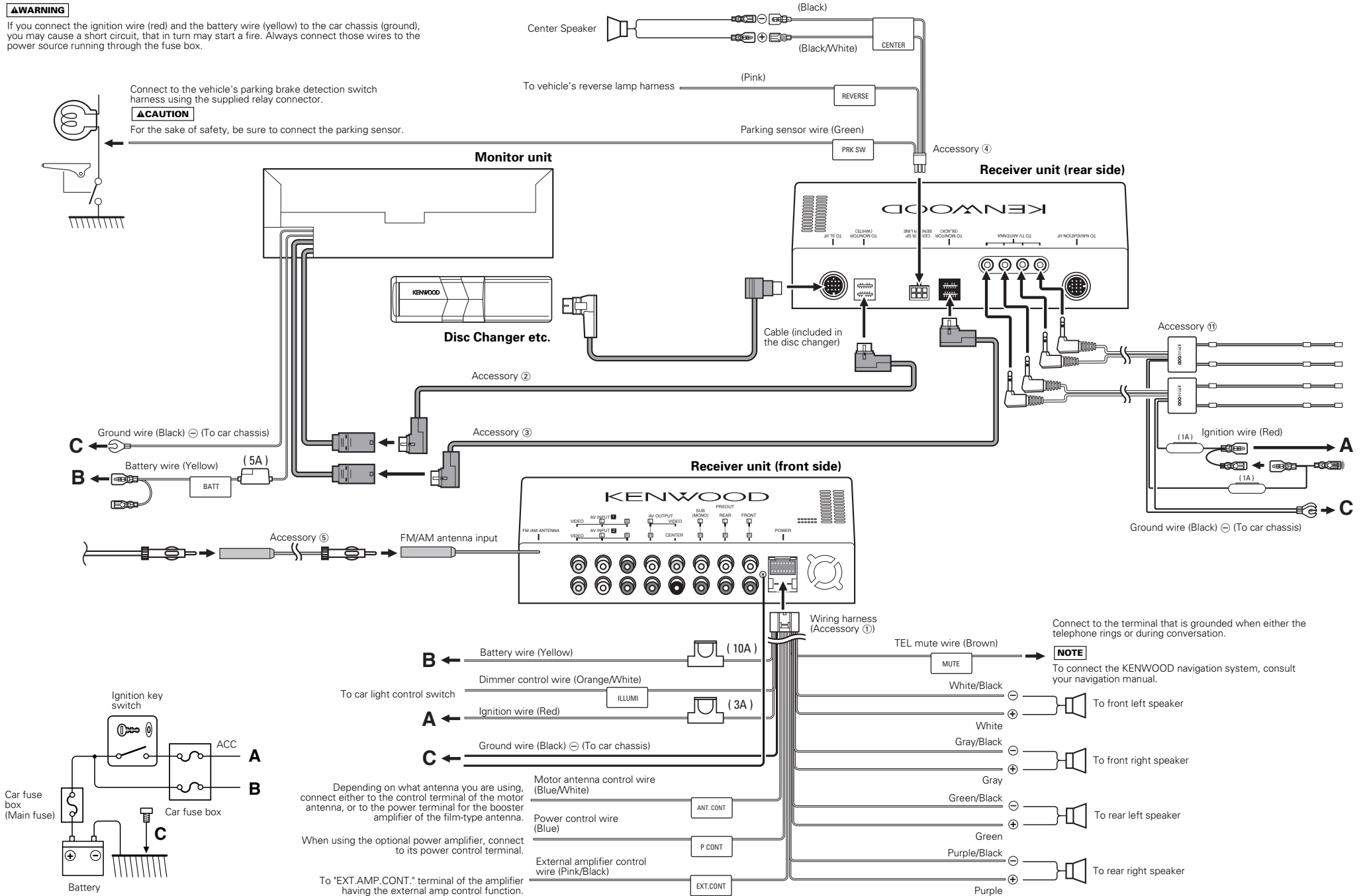
⚠WARNING

If you connect the ignition wire (red) and the battery wire (yellow) to the car chassis (ground), you may cause a short circuit, that in turn may start a fire. Always connect those wires to the power source running through the fuse box.

Connect to the vehicle's parking brake detection switch harness using the supplied relay connector.

⚠CAUTION

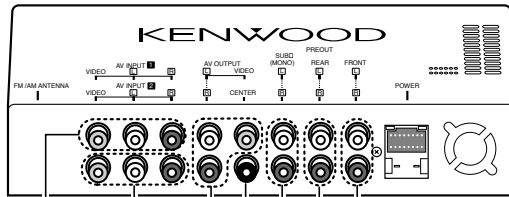
For the sake of safety, be sure to connect the parking sensor.



English

Connection

Connection for AV Equipments



● Front Preout

- Audio left output (White)
- Audio right output (Red)

● Rear Preout

- Audio left output (White)
- Audio right output (Red)

● Sub-woofer (Mono) Preout

- Audio left output (White)
- Audio right output (Red)

● Center Preout

● Audio/Visual Output

- Visual output (Yellow)
- Audio left output (White)
- Audio right output (Red)

● Audio/Visual input 2

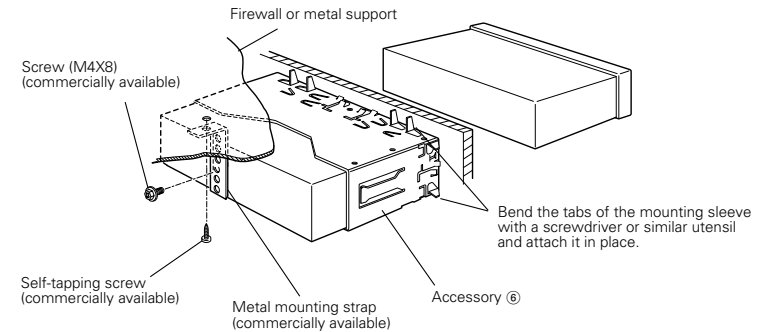
- Visual input (Yellow)
- Audio left input (White)
- Audio right input (Red)

● Audio/Visual input 1

- Visual input (Yellow)
- Audio left input (White)
- Audio right input (Red)

Installation

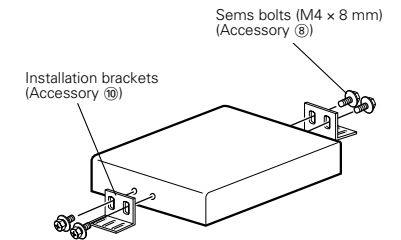
Installation for Monitor/Player Unit



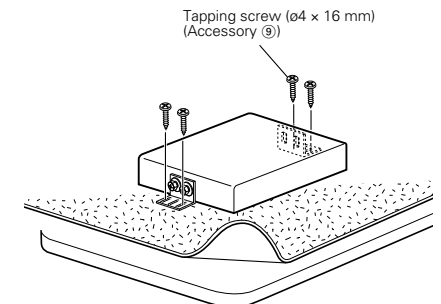
Make sure that the unit is installed securely in place. If the unit is unstable, it may malfunction (eg, the sound may skip).

Installation for Receiver unit

1. Attach the installation brackets to the sides of the hideaway unit using the sems bolts.

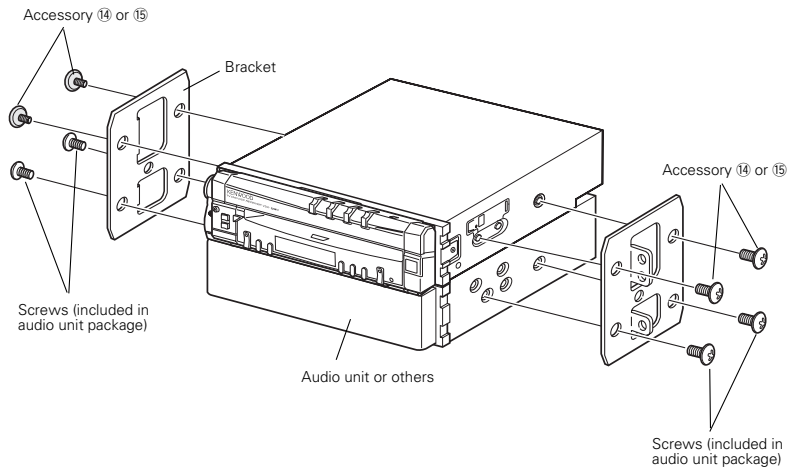
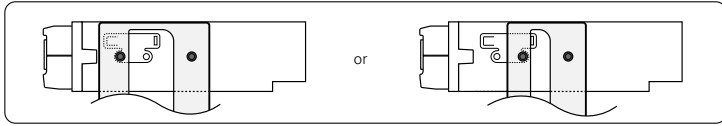


2. Use the tapping screw to secure the hideaway unit to the audio board.

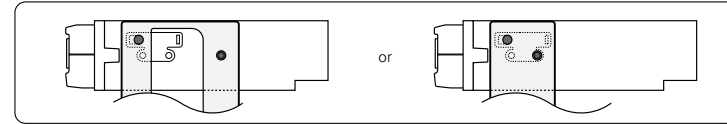


Installing in Japanese-Made Cars

■ Installation on Toyota, Nissan or Mitsubishi Car using Brackets at Holes shown by "●"

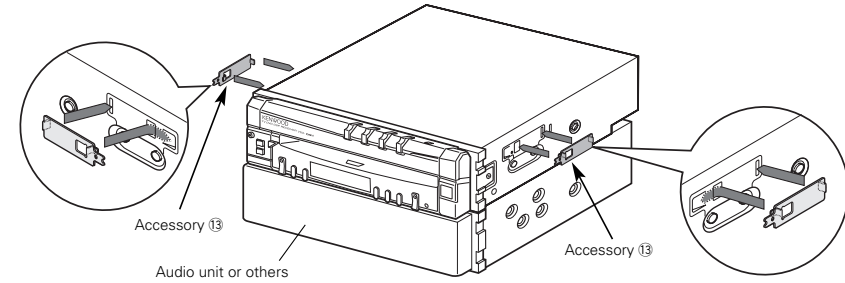


■ Installation on Toyota Car using Brackets at Holes shown by "●"

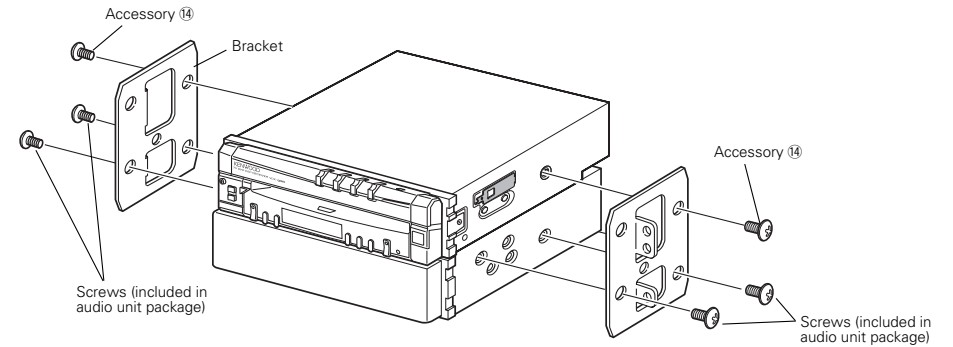


When using the bracket shown above, you cannot use screws at two holes of the right and left unit sides. If so, tighten the bracket using accessories 13 as shown below.

1. Use accessories 13 at both sides as shown.

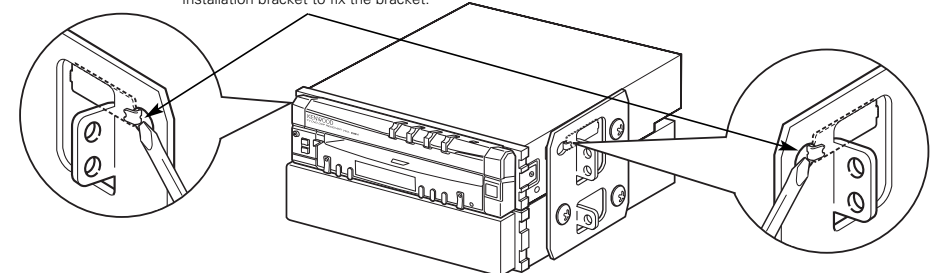


2. Mount the bracket at each side.



3. Bend each end of accessory 13 to fix the bracket.


Use a flat-blade screwdriver or pliers, and bend each accessory tab into the hole of installation bracket to fix the bracket.

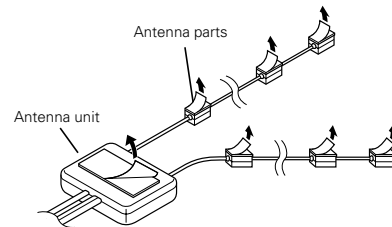


Installing the Antenna Units

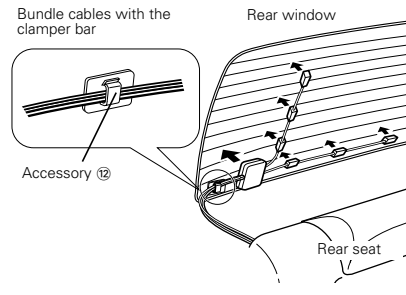
- Attach the antenna to the inner glass surface of the rear window using double-sided tape. Carefully check the installation location as the tape can only be stuck on once.
- If the surface temperature of the glass of the rear window is low, warm it by turning on the power of the rear defogger. A cold window glass surface will weaken the adhesive strength of the double-sided tape. Also, if installation inside the cabin is performed on a day with high humidity or when it is raining, the high humidity level will weaken the adhesive strength of the double-sided tape.
- Do not install the antenna in a location where it may obstruct the field of view during driving, such as on the windshield.

1. Check the location where the antenna (11) is to be attached. Clean off any grease or dirt from the installation location using the supplied glass cleaner (16), clean the area with water and allow to dry.

 Clean the glass thoroughly as failure to clean the glass can not only weaken the adhesive strength of the double-sided tape, but may also cause it to come loose.



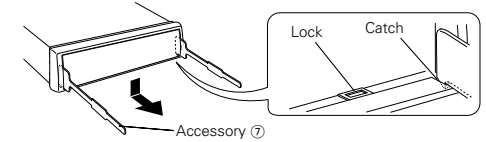
2. Remove the protective strips from the antenna parts and the back of the antenna unit.
3. Attach the double-sided tape of the antenna parts and the antenna unit to the rear windshield glass. Attach the double-sided tape by firmly pressing down from the top. Secure cables using the supplied clampers (12).
4. After attaching the antenna with the double-sided tape, allow it to sit undisturbed for 24 hours. Take care not to apply force to the antenna or allow it to get wet during this time.
5. Connect the antenna cable to receiver unit.




Removing Monitor/Player Unit

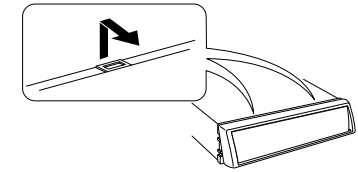
Removing the Hard Rubber Frame (escutcheon)

1. Engage the catch pins on the removal tool (7) and remove the two locks on the lower level. Lower the frame and pull it forward as shown in the figure.



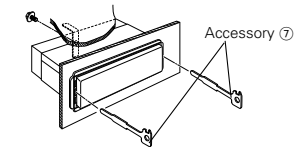
2. When the lower level is removed, remove the upper two locations.

 The frame can be removed from the top side in the same manner.



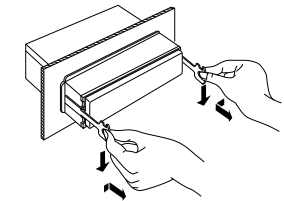
Removing the Unit

1. Refer to the section <Removing the Hard Rubber Frame> and then remove the hard rubber frame.
2. Remove the Hex-head screw with integral washer (M4 x 6) on the back panel.
3. Insert the two removal tools (7) deeply into the slots on each side, as shown.

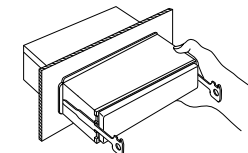


4. Lower the removal tool toward the bottom, and pull out the unit halfway while pressing towards the inside.

 Be careful to avoid injury from the catch pins on the removal tool.



5. Pull the unit all the way out with your hands, being careful not to drop it.



DVD: Digital Versatile Disc

A type of disc which contains recording of audio/video packaged media with high video and audio quality, such as a movie, featuring large recording capacity and digital signal processing capability.

VCD: VIDEO CD

A type of CD which contains the recording of moving images. It compresses image information by about 1/120 and audio information by about 1/6 and accommodates up to 74 minutes of recording in a disc with the same diameter as ordinary music CD of 12 cm. Some VCDs do not have the P.B.C. compatibility and are capable of playback only, while some are P.B.C.-compatible and are capable of various special playback control operations. This player can play both of these VCDs.

MPEG: Moving Picture Expert Group (DVD, VCD)

This is an international standard for digital video and audio compression and decompression in media.

Dolby Digital

This is a digital audio compression technology developed by Dolby Laboratories. It is compatible with 5.1-channel surround audio as well as normal stereo (2-channel) audio and can accommodate a large amount of audio data efficiently in a disc.

DTS

Name of a digital surround system developed by Digital Theater Systems, Inc.

Dolby Pro Logic II

The matrix decoding technologies that have been evolved from the conventional Dolby Pro Logic system and that is based on the latest digital matrix technologies. It recognizes the excellent 5.1-channel sound playback of Dolby Surround and ordinary CD stereo sounds. You can enjoy surround channels as full-band sounds (from 20 Hz to 20 kHz) and stereo sources as real 5.1-channel sounds. The Movie mode, Music mode, or Matrix mode can be selected according to the playback source. When the Dolby Pro Logic II mode is selected, the sound level is slightly dropped due to its characteristics.

Top menu/menu (DVD)

Some DVDs display more than one title in a screen. This screen is referred to as the top menu.

The menu is the item display (menu screen) for use in setting operations. The menu can be recalled any time during playback to perform settings according to the current software, including the audio switching between Dolby Digital and PCM, switching of language used in the subtitles and spoken voice.

Title number (DVD)

The title is the largest unit of video and audio recorded in a DVD. It usually corresponds to a single movie of video software or an album (sometimes a piece of music) of music software. The numbers assigned to individual titles are referred to as the title numbers.

Chapter number (DVD)

The chapter is a section of video and audio recorded in a DVD. A title is composed of several chapters. The numbers assigned to individual chapters are referred to as the chapter numbers.

Subtitles (DVD)

Some DVD discs contains the recording of more than one subtitle language. This player allow you to select one of the recorded subtitle languages during playback.

Track number (CD, VCD)

A track is also a section of video and audio recorded in a disc. The numbers assigned to individual tracks are referred to as the track numbers.

With most of music CDs, a track is assigned to a piece of music. However, with a VCD, the sections of the contents do not always correspond to the assigned tracks. As (special) playback functions such as skipping and programming of ordinary CDs are based on track number data, such playback functions are sometimes impossible with some VCDs.

P.B.C.: Play-Back Control (VCD)

When a VIDEO CD carries "Play Back Control capable" or similar message on the disc or jacket, desired scenes and information can be played back in an interactive manner using a hierarchical structure while viewing the menu screens displayed on the TV screen.

Some system functions are limited to control depending on your setup.

- Zone cannot be set.
- The "Rear Bass Boost" of SFC Adjust cannot be set.
- The rear speakers of DTA cannot be set.
- The "Position Fine Control" of rear speakers cannot be set.
- The "Channel Level" of rear speakers cannot be set.

The rear speakers have been set to "NONE" on the Speaker Set Up screen (page 62).

- No SFC (Sound Field) can be set.
- No signals can be set.
- The "Parametric Equalizer" cannot be set.
- The "Position (Position Fine Control)" cannot be set.
- The "Car Type Setup" value cannot be set.
- The "Speaker Setup" value cannot be set.
- No crossover frequency can be set.
- The "Channel Level" (test signal output) cannot be set.

The Zone Control has been turned On (page 94).

- The SFC (Sound Field) cannot be set to "Bypass+Center".
- The "Center Level" of SFC Adjust cannot be set.
- The "Center Width Control" of SFC Adjust cannot be set.
- The center speaker for DTA cannot be set.
- The "Position Fine Control" of the center speaker cannot be set.
- The "Channel Level" of the center speaker cannot be set.

The center speaker has been set to "NONE" on the Speaker Set Up screen (page 62).

- The SFC Adjust cannot be set.

The SFC (Sound Field) (page 88) has been set to "Bypass" or "Bypass+Center".

- The SFC (Sound Field) cannot be set to "Dolby PL II".

The center and rear speakers have been set to "NONE" on the Speaker Set Up screen (page 62).

- The subwoofer of DTA cannot be set.
- The "Position Fine Control" of the subwoofer cannot be set.
- The "Channel Level" of the subwoofer cannot be set.

The subwoofer has been set to "NONE" on the Speaker Set Up screen (page 62).

Troubleshooting Guide

What might appear to be a malfunction in your unit may just be the result of slight misoperation or miswiring. Before calling service, first check the following table for possible problems.

General

The power does not turn on.

- The fuse has blown.
- After checking for short circuits in the wires, replace the fuse with one having the same rating.

The desired source is NOT selected although you pressed the SRC button.

- An optional unit required to listen to each source is not connected yet.
- The RESET button is not pressed yet although the optional unit has been connected to the system.
- The "O-N" switch of the optional unit is at the "O" position.
- A disc changer not supported by the system is used.
- A non-connected source is not selected. See <Connection> (see page 94) and connect the unit correctly.
- Press the reset button (see page 4).
- Set the "O-N" switch to the "N" position.
- Use a disc changer supported by the system (see page 4).

Nothing happens when the buttons are pressed.

- The computer chip in the unit is not functioning normally.
- Press the reset button on the unit (see page 4).

No television/video image appears.

- The unit is not connected to the parking brake detection switch.
- The parking brake is not engaged.
- Make proper connections according to <Connections> (see page 98).
- For safety reasons no television/video images are displayed while the vehicle is moving. Engaging the parking brake will cause images to be displayed.

The screen is dark.

- The unit is in a location where temperature is low.
- If the temperature of the monitor unit drops, the screen may appear darker when power is first turned on due to the characteristics of a liquid crystal panel. Wait a while after turning power on for the temperature to rise. Normal brightness will return.

The screen does not darken when the vehicle's lights are turned on.

- The unit is set to auto dimmer.
- The illumination wire has not been connected. (If manual dimmer is set)
- When the unit is set to auto dimmer, it is not linked to the vehicle's light switch.
- Make proper connections according to <Connections> (see page 98).

AM/FM radio reception is poor and/or there is noise.

- The TV antenna and vehicle's radio antenna are too close.
- Separate the two antennas as far as possible.
- Turn off the main unit.

The remote controller does not operate.

- The remote control mode selector is not set correctly.
- Switch the remote control mode selector according to the source you select (see page 12).

No sound can be heard, or the volume is low.

- Attenuator is turned on.
- The fader or balance settings are set all the way to one side.
- The input/output wires or wiring harness are connected incorrectly.
- Turn off Attenuator.
- Reset the fader and/or balance settings.
- Reconnect the input/output wires or the wiring harness correctly. See the section on <Connections> (see page 98).

The sound quality is poor or distorted.

- One of the speaker wires is being pinched by a screw in the car.
- The speakers are not wired correctly.
- Check the speaker wiring.
- Reconnect the speaker wires so that each output terminal is connected to a different speaker.

Radio reception is poor.

- The car antenna is not extended.
- The antenna control wire is not connected.
- Pull the antenna out all the way.
- Connect the wire correctly, referring to the section on <Connections> (see page 98).

The memory is erased when the ignition is turned off.

- The battery wire has not been connected to the proper terminal.
- The ignition and battery wire are incorrectly connected.
- Connect the wire correctly, referring to the section on <Connections> (see page 98).
- Connect the wire correctly, referring to the section on <Connections> (see page 98).

The sound/picture skips on a DVD/VCD/CD.

- The disc is scratched or dirty.
- Clean the disc, referring to the section on <Disc cleaning> (see page 6).

A track will not play.

- Random play has been selected.
- Turn off random play.

A VCD cannot be played using menus.

- The VCD disc being played is not compatible with P.B.C.
- Menu playback is available only with VCD discs recorded with P.B.C.

The subtitle is not displayed.

- The DVD disc being played does not contain the recording of subtitles.
- The subtitle cannot be displayed when the DVD disc being played does not contain the recording of subtitles.

The voice (or subtitle) language cannot be changed.

- The DVD disc being played does not contain the recording of more than one audio (or subtitle) language.
- The voice (or subtitle) language cannot be changed when the DVD disc being played does not contain the recording of more than one voice (or subtitle) language.

The viewing angle cannot be changed.

- The DVD disc being played does not contain the recording of more than one angle.
- You are attempting to switch the angle in a DVD section where more than one angle is not recorded.
- The viewing angle cannot be changed when the DVD disc being played does not contain the recording of more than one angle.
- More than one viewing angle may be recorded only in limited sections in a disc.

Playback will not start even after a title is selected.

- A viewing restriction (RATING) has been set for the disc.
- Check the viewing restriction level (RATING) setting.

The voice or subtitle language selected in the initial setting is not played.

- The DVD disc being played does not contain the recording of the selected voice or subtitle language.
- Use a DVD disc containing the recording of the selected voice or subtitle language.

Disc source

The disc control mode cannot be selected.

- No wire has been connected to the disc changer input terminal on the unit.
- Connect the wire to the disc changer input terminal on the unit.

The specified disc does not play, but another one plays instead.

- The specified CD is quite dirty.
- The CD is upside-down.
- The disc is loaded in a different slot from that specified.
- The disc is severely scratched.
- Clean the CD.
- Load the CD with the labeled side up.
- Eject the disc magazine and check the number for the specified disc.
- Try another disc instead.

The sound skips.

- Something is touching the disc changer.
- The CD is scratched or dirty.
- Remove whatever is touching it.
- If skipping happens at the same place when the car is stopped, something with the CD is wrong. Clean the CD.

The display shows that the changer is being played, but no sound can be heard.

- The computer chip in the unit is not functioning normally.
- Press the reset button on the unit (see page 4).

The specified track will not play.

- Random play or magazine random play has been selected.
- Turn off random play or magazine random play.

Track repeat, disc repeat, track scan, disc scan, random play, and magazine random play start by themselves.

- The setting is not cancelled.
- The settings for these functions remain on until the setting to off or the disc ejected, even if the power is turned off or the source changed.

Can't remove disc.

- The cause is that more than 10 minutes has elapsed since the vehicle ACC switch was turned OFF.
- The disc can only be removed within 10 minutes of the ACC switch being turned OFF. If more than 10 minutes has elapsed, turn the ACC switch ON again and press the Eject button.

MP3/WMA source

Cannot play an MP3/WMA.

- The media is scratched or dirty.
- Clean the media, referring to the CD cleaning of the section on <About discs> (see page 6).

The sound skips when an MP3/WMA is being played.

- The media is scratched or dirty.
- The recording condition is bad.
- Clean the media, referring to the CD cleaning of the section on <About discs> (see page 6).
- Record the media again or use another media.

The MP3/WMA track time isn't displayed correctly.

- --
- There are times when it isn't displayed correctly according to the MP3/WMA recording conditions.

Can't display the ID3 tag information correctly.

- Record is not made in conformity with the ID3 tag version 1.x.
- Record in conformity with the ID3 tag version 1.x. Also, the display may be incorrect if an MP3 file uses the ID3 tag v1.x standard and if this standard has been expanded after production of the machine software.

The following messages are displayed when certain problems are occurring in your system. Take the recommended actions.

- Hot Error** The protective circuit in the unit activates when the temperature inside the unit exceeds 60°C (140°F), stopping all operation.
⇒ Cool down the unit by opening the windows or turning on the air conditioner. As the temperature falls below 60°C (140°F), the disc will start playing again.
- Hold Error** The protective circuit in the unit activates when the temperature inside the automatic disc changer exceeds 60°C (140°F), stopping all operation.
⇒ Cool down the unit by opening the windows or turning on the air conditioner. As the temperature falls below 60°C (140°F), the disc will start playing again.
- Mecha Error** The disc player is malfunctioning.
⇒ Eject the disc and try inserting it again. Contact the Kenwood dealer if this indicator continues blinking or the disc cannot be ejected.
- Disc Error** The unplayable discs is inserted.
- Read Error** The disc is upside-down.
⇒ Load the disc with the labeled side up.
The disc is quite dirty.
⇒ Clean the disc, referring to the section on <Disc cleaning> (see page 6).
- Region code Error** The DVD software encoded for other region code.
- Parental level Error** The parental level is set to high levels.
- Error 07 — 67** The unit is malfunctioning for some reason.
⇒ Press the reset button on the unit. If the "Error ##" code does not disappear, consult your nearest service center.

